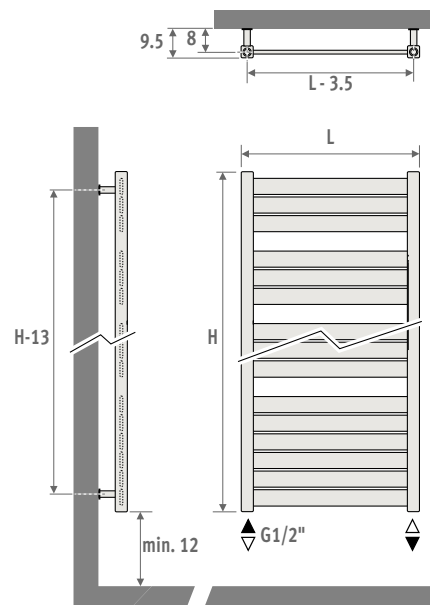




## DIMENSIONS (in cm)



## DELIVERY

- connection 18/81 below
- wall fixing
- chrome-plated air vent and drain plug G1/2"

## COLOURS

Environmentally friendly, scratch-resistant, high UV resistant powder coating.

Standard colours:

- traffic white RAL 9016 (233), smooth glossy finish
- sandblast grey (001), fine texture metallic

Other colours: see colour chart.

## CONNECTION

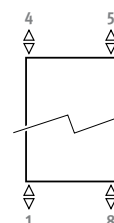
Code:

1° number = flow

2° number = return

Standard connection:

Code 18, reversible 18 or 81



Other connections (no surcharge):

- top connection:
  - enter code 45 or 54. Insert pipe included. Has to be mounted in the return.
  - Always mount an air vent on the central heating pipework.
- side connection:
  - enter code 41 or 58.
- single point connection: see chapter "Connection set & Valves" - set 81 or 82.
  - Not possible with a radiator on feet.
- electric heating element and mixed application: see "Parts & Options"

## CONNECTION SETS


### Connection set to the wall Jaga Deco Double angled

TRV head and sleeve couplings included.



**set 35**  
**CHROME** €

 CODE.JH2.AW.1... **142,70**

 CODE.JH2.AC.1... **156,30**

fill in sleeve coupling code

Precision metal tube 15/1 **115**

Precision metal tube 16/1 **116**

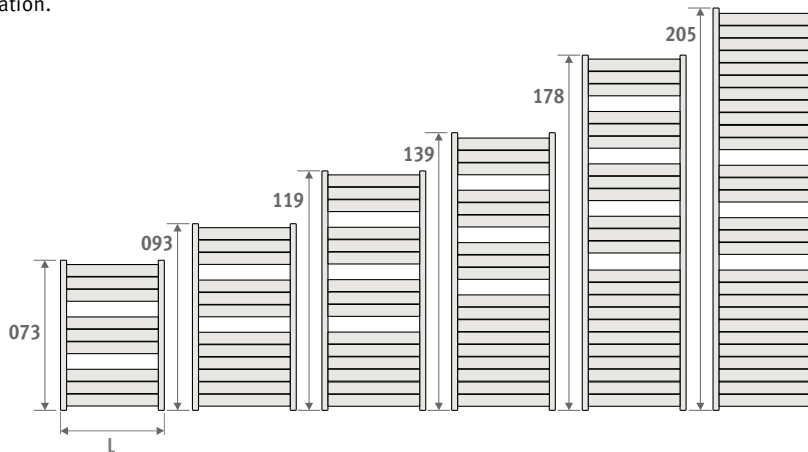
Precision metal tube 18/1 **118**

RPE/ALU tube 16/2 **316**

RPE/ALU tube 18/2 **318**

### Other connection sets and sleeve couplings

See chapter "Connection sets and valves" for all connection options and technical information.



## SANI PANEL

code height length colour conn.  
**SPAW . 073 040 . XXX /18**  
fill in colour code —

	Watts 75/65	Watts 55/45	€ st. colour	€ other
--	----------------	----------------	-----------------	------------

### L H 073

<b>040</b>	318	164	<b>456,50</b>	<b>547,80</b>
<b>050</b>	386	198	<b>465,00</b>	<b>558,10</b>
<b>060</b>	455	233	<b>498,30</b>	<b>598,10</b>
<b>070</b>	524	268	<b>502,40</b>	<b>603,10</b>
<b>080</b>	593	302	<b>520,30</b>	<b>624,30</b>
<b>100</b>	731	372	<b>558,60</b>	<b>670,30</b>

### L H 093

<b>040</b>	414	214	<b>506,30</b>	<b>607,70</b>
<b>050</b>	503	259	<b>545,70</b>	<b>654,90</b>
<b>060</b>	593	304	<b>583,20</b>	<b>699,80</b>
<b>070</b>	683	350	<b>590,10</b>	<b>708,00</b>
<b>080</b>	772	395	<b>611,70</b>	<b>734,00</b>
<b>100</b>	951	485	<b>656,00</b>	<b>787,20</b>

### L H 119

<b>040</b>	506	262	<b>552,50</b>	<b>663,10</b>
<b>050</b>	615	318	<b>597,70</b>	<b>717,40</b>
<b>060</b>	724	373	<b>624,50</b>	<b>749,30</b>
<b>070</b>	833	428	<b>650,10</b>	<b>780,20</b>
<b>080</b>	942	484	<b>676,50</b>	<b>811,60</b>
<b>100</b>	1160	594	<b>728,60</b>	<b>874,30</b>

### L H 139

<b>040</b>	594	309	<b>611,70</b>	<b>734,00</b>
<b>050</b>	721	373	<b>663,70</b>	<b>796,50</b>
<b>060</b>	848	438	<b>692,40</b>	<b>830,80</b>
<b>070</b>	975	503	<b>721,90</b>	<b>866,10</b>
<b>080</b>	1102	568	<b>751,10</b>	<b>901,40</b>
<b>100</b>	1356	697	<b>809,10</b>	<b>971,00</b>

### L H 178

<b>040</b>	732	382	<b>721,90</b>	<b>866,10</b>
<b>050</b>	887	462	<b>785,80</b>	<b>943,00</b>
<b>060</b>	1041	541	<b>821,10</b>	<b>985,30</b>
<b>070</b>	1196	620	<b>861,30</b>	<b>1033,60</b>
<b>080</b>	1351	700	<b>900,60</b>	<b>1080,80</b>
<b>100</b>	1660	858	<b>980,40</b>	<b>1176,50</b>

### L H 205

<b>040</b>	860	451	<b>824,10</b>	<b>988,80</b>
<b>050</b>	1039	543	<b>899,70</b>	<b>1079,60</b>
<b>060</b>	1218	636	<b>952,90</b>	<b>1143,30</b>
<b>070</b>	1397	729	<b>1004,60</b>	<b>1205,50</b>
<b>080</b>	1576	821	<b>1057,90</b>	<b>1269,50</b>
<b>100</b>	1934	1006	<b>1164,10</b>	<b>1396,90</b>

EN442 output at 20°C room temperature



For electric element  
Eco Comfort see p. 370

