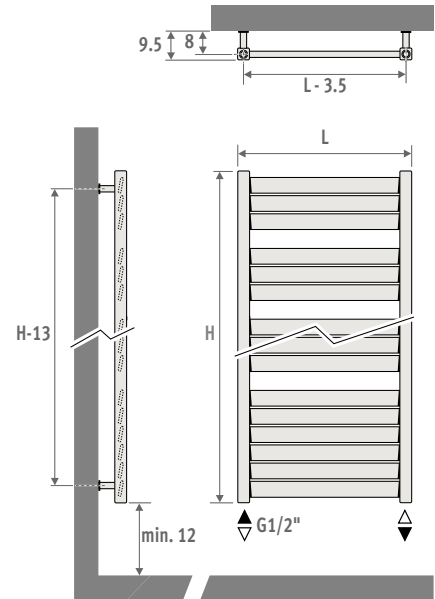




DIMENSIONS (in cm)



DELIVERY

- connection 18/81 below
- wall fixing
- chrome-plated air vent and drain plug G1/2"

COLOURS

Environmentally friendly, scratch-resistant, high UV resistant powder coating.

Standard colours:

- traffic white RAL 9016 (233), smooth glossy finish
- sandblast grey (001), fine texture metallic

Other colours: see colour chart.

CONNECTION

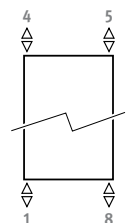
Code:

1° number = flow

2° number = return

Standard connection:

Code 18, reversible 18 or 81



Other connections (no surcharge):



- top connection:
 - enter code 45 or 54. Insert pipe included. Has to be mounted in the return.
 - Always mount an air vent on the central heating pipework.
- side connection:
 - enter code 41 or 58.
- single point connection: see chapter "Connection set & Valves" - set 81 or 82.
 - Not possible with a radiator on feet.
- electric heating element and mixed application: see "Parts & Options"

CONNECTION SETS

Connection set to the wall Jaga Deco double angled

TRV head and sleeve couplings included.



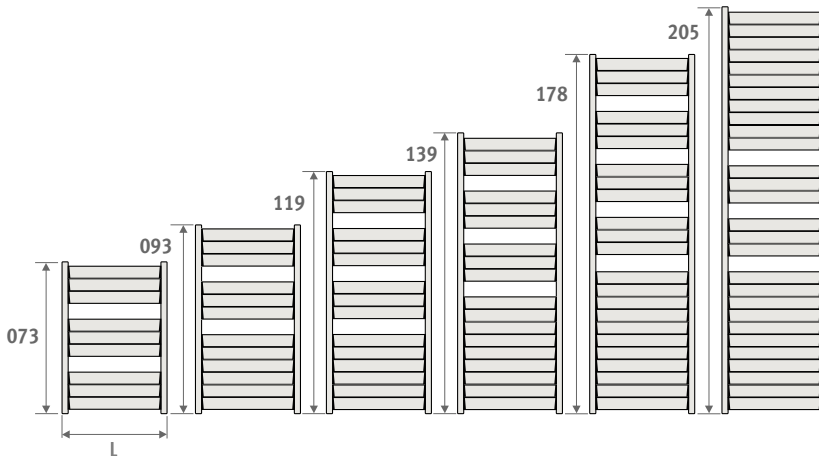
set 35	CHROME	€
	CODE.JH2.AW.1...	142,70
	CODE.JH2.AC.1...	156,30

fill in sleeve coupling code

Precision metal tube 15/1	115
Precision metal tube 16/1	116
Precision metal tube 18/1	118
RPE/ALU tube 16/2	316
RPE/ALU tube 18/2	318

Other connection sets and sleeve couplings

See chapter "Connection sets and valves" for all connection options and technical information.



SANI LOUVRE

code height length colour conn.
SLOW . 073 040 . XXX /18
fill in colour code —

	Watts 75/65	Watts 55/45	€ st. colour	€ other
--	----------------	----------------	-----------------	------------

L	H 073			
040	352	182	456,50	547,80
050	419	215	465,00	558,10
060	487	249	498,30	598,10
070	554	282	502,40	603,10
080	621	316	520,30	624,30
100	756	383	558,60	670,30

L	H 093			
040	469	243	506,30	607,70
050	559	288	545,70	654,90
060	649	333	583,20	699,80
070	739	378	590,10	708,00
080	829	423	611,70	734,00
100	1009	513	656,00	787,20

L	H 119			
040	585	304	552,50	663,10
050	696	359	597,70	717,40
060	808	415	624,50	749,30
070	920	471	650,10	780,20
080	1032	527	676,50	811,60
100	1255	639	728,60	874,30

L	H 139			
040	697	362	611,70	734,00
050	830	429	663,70	796,50
060	963	496	692,40	830,80
070	1096	563	721,90	866,10
080	1229	630	751,10	901,40
100	1494	763	809,10	971,00

L	H 178			
040	879	459	721,90	866,10
050	1045	543	785,80	943,00
060	1211	627	821,10	985,30
070	1377	711	861,30	1033,60
080	1543	795	900,60	1080,80
100	1876	963	980,40	1176,50

L	H 205			
040	1053	552	824,10	988,80
050	1250	652	899,70	1079,60
060	1447	752	952,90	1143,30
070	1644	852	1004,60	1205,50
080	1841	953	1057,90	1269,50
100	2234	1152	1164,10	1396,90

EN442 output at 20°C room temperature



For electric element
Eco Comfort see p. 370

