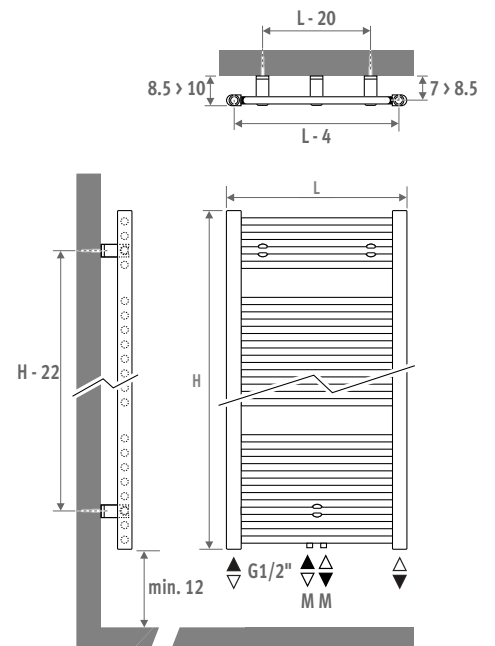




DIMENSIONS (in cm)

BASIC



DELIVERY

- central connection MM underneath and 18/81 below
- wall fixing
- chrome-plated air vent and 3 drain plugs G1/2"

COLOURS

Environmentally friendly, scratch-resistant, high UV resistant powder coating.

Sani Basic

Standard colours:

- traffic white RAL 9016 (233), smooth glossy finish
- sandblast grey (001), fine texture metallic

Other colours: see colour chart.

Sani Bow

Only available in traffic white RAL 9016 (233), smooth glossy finish.

CONNECTION

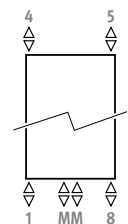
Code:

1° number = flow

2° number = return

Standard connection:

- central connection MM below or on top, flow left or right. Connection 18 or 81 is also possible.



- single point connection: see chapter "Connection set & Valves" - set 81 or 82.
- one pipe connection with code MM and connection set 41 or 42.

Other connections (no surcharge):

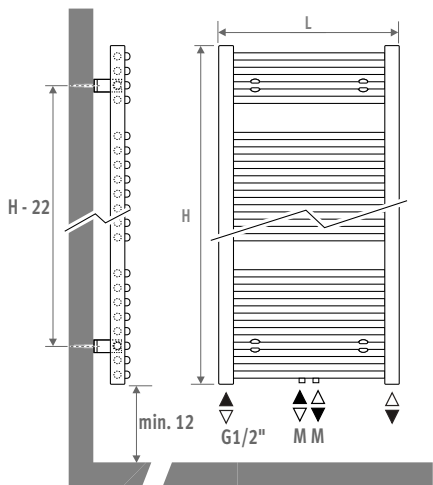
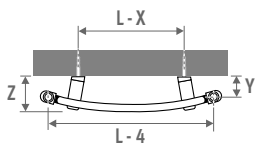
When assigning a different connection code MM will still continue to exist.

- top connection:
 - enter code 45 or 54. Insert pipe included.
 - Has to be mounted in the return.
 - Always mount an air vent on the central heating pipework.
- electric heating element and mixed application: see "Parts & Options"

SANI BASIC & SANI BOW



BOW

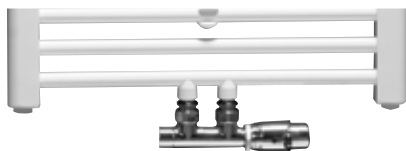


L	X	Y	Z
050	25.0	5.2 > 6.4	8.6 > 9.6
060	22.0	5.4 > 6.4	9.3 > 10.3
075	18.5	9.3 > 10.3	10.5 > 11.5

CONNECTION SETS

Connection set to the wall with a Deco-Pro valve

TRV head and sleeve couplings included.



set 48

BRUSHED STAINLESS STEEL

€



CODE.PW3.PS.1...

222,30

set 41

CHROME

€



CODE.PW3.AW.1...

142,70



CODE.PW3.AC.1...

156,30

fill in sleeve coupling code

- Precision metal tube 15/1 **115**
- Precision metal tube 16/1 **116**
- Precision metal tube 18/1 **118**
- RPE/ALU tube 16/2 **316**
- RPE/ALU tube 18/2 **318**

Other connection sets and sleeve couplings

See chapter "Connection sets and valves" for all connection options and technical information.

BASIC

code height length colour conn.
SBAW . 094 050 . XXX /MM
fill in colour code

	Watts 75/65	Watts 55/45	€ st. colour	€ other
L H 094				
050	427	224	418,10	501,70
060	505	265	440,20	528,20
075	620	326	457,30	549,00
L H 132				
050	605	317	512,60	615,10
060	706	370	539,20	647,10
075	865	455	570,60	684,80
L H 170				
050	775	405	606,60	728,00
060	906	476	637,70	765,20
075	1107	583	684,60	821,60
L H 198				
050	---	---	---	---
060	1081	567	715,40	858,50
075	1317	694	774,50	929,40

BOW

code height length colour conn.
SBOW . 094 050 . 233 /MM

	Watts 75/65	Watts 55/45	€
L H 094			
050	444	237	447,30
060	528	283	471,30
075	656	351	489,00
L H 132			
050	618	329	548,40
060	732	391	576,80
075	911	488	610,90
L H 170			
050	788	419	648,90
060	938	500	682,00
075	1159	622	732,70
L H 198			
050	---	---	---
060	1122	597	765,40
075	1373	738	828,70

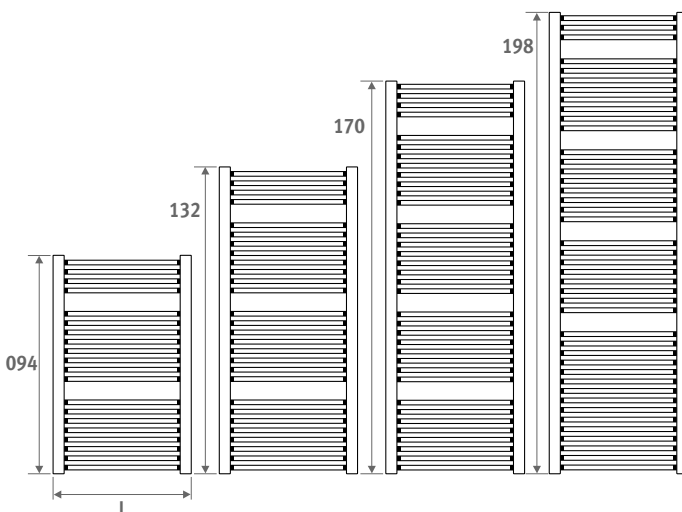
EN442 output at 20°C room temperature



SANI BASIC



SANI BOW



For electric element
Eco Comfort see p. 370

