



Energy
SAVERS
LOW-H₂O

PLAY

Playful warmth, colourful
comfort

- Completely pre-assembled and mounted casing, consisting of painted MDF panels with aluminium spacer rings.
- Standard pencil-proof grille, to prevent small objects or waste falling into the casing.
- Optional protective base grille.
- Integrated valve with thermostat in the front panel.
- Connections can be completely concealed within the casing.
- Low-H₂O technology with super conductive and ultra fast heat exchanger for low energy consumption and maximum heat emission.
- Twin Power for better compensation of the downward cold air flow next to glazed façades or ventilation grilles.
- DBE model for super-low water temperatures from 28°C.
- Safe surface temperature.
- **A 30 year guarantee** on the heat exchanger.



PLAY PIANO



LOW-H₂O
SELECTED AS
THE MOST
ECONOMICAL
RADIATOR

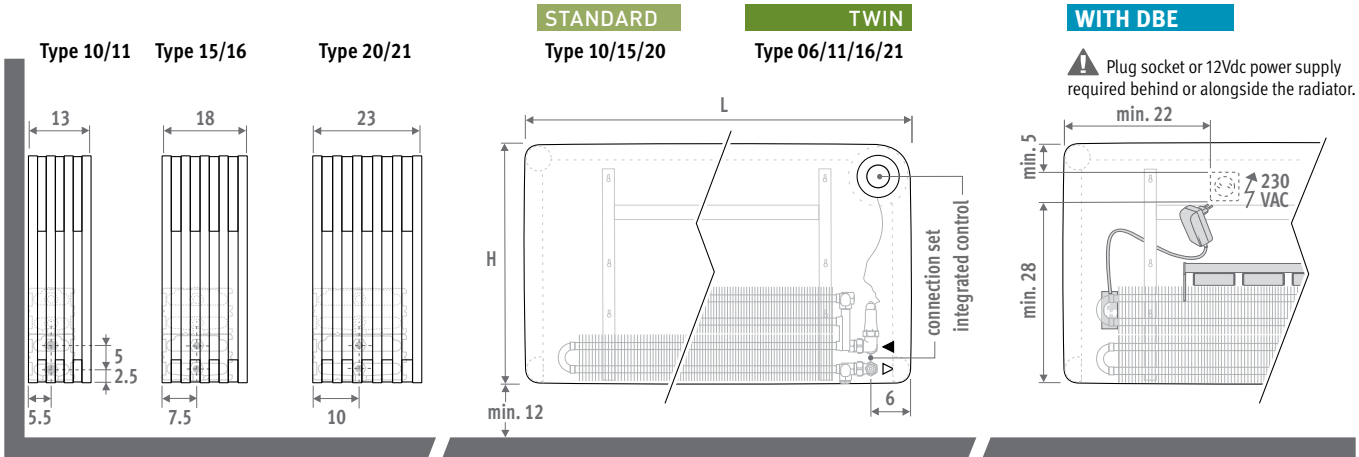
PLAY



PLAY



DIMENSIONS (in cm)



DELIVERY

Delivered in a cardboard box, which can also be used as protection on site after installation. standard delivery:

- Low-H₂O heat exchanger with wall brackets and fixing kit, air vent 1/8" and drain plug 1/2"
- one piece casing, completely mounted, consisting of lacquered MDF panels with anodised aluminium spacer rings
- premounted and integrated control in the front panel in the top right hand corner, included valve and sleeve couplings for connection to the wall or to the floor
- pencil-proof grille

Delivery with DBE:

- number of DBE unit(s) varies according to the length
- operation, control and power supply 12 VDC
- mounting instructions
- packed with the radiator

COLOURS

Scratch resistant polyurethane finish with a soft structured mat surface. High UV resistance.

Category 1



Category 2



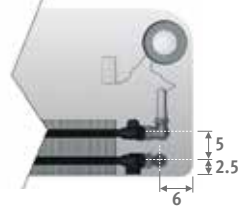
ORDERING CODE

Connection to the wall within the casing

code height length type colour conn.
PLAW. 035 060 10 .XXX /WR /TIB /...

Enter colour code
 To the wall, right /WR
 To the wall, left /WL
 Always 2-Pipe /TIB

Fill in sleeve coupling code: see p. 151

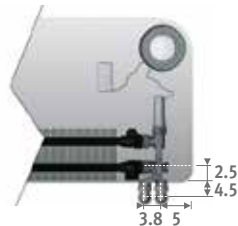


Connection to the wall via bottom of the casing

code height length type colour conn.
PLAW. 035 060 10 .XXX /WR /TPB /...

Enter colour code
 To the wall, right /WR
 To the wall, left /WL
 2-pipe /TPB
 1-pipe /TPO

Fill in sleeve coupling code: see p. 151

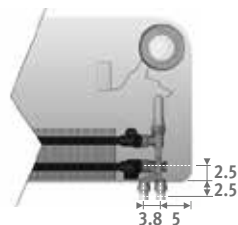


Connection to the floor

code height length type colour conn.
PLAW. 035 060 10 .XXX /FR /TPB /...

Enter colour code
 To the floor, right /FR
 To the floor, left /FL
 2-pipe /TPB
 1-pipe /TPO

Fill in sleeve coupling code: see p. 151



ORDERING CODE WITH DBE

PLAW. 035 060 10. XXX /XX /XXX /... /DBE

DBE should be selected according to the power in comfort mode, as stated in the price and output table. The transition between standby (inactive) and comfort is managed automatically depending on the measured temperature and settings. For output in boost mode: see www.jaga.be

CREATE YOUR OWN COLOURS

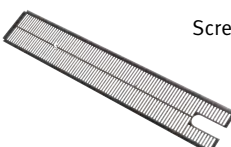
OR CREATE YOUR OWN PRINT

Design your own colour combination or print on the front panel. For more info go to: export@jaga.be



BASE GRILLE

Screens the bottom of the casing. Colour black (RAL 9005)



	code	length	type	model
ORDERING CODE	5641.000	060	10	/PLA
	Type 10/11	15/16	20/21	
L	€	€	€	
060	28,90	31,90	33,10	
080	30,50	34,30	35,80	
100	32,30	37,20	38,90	
120	35,30	40,70	45,60	



PLAW.HHH LLL TT.XXX/XX/XXX/...

PLAW.HHH LLL TT.XXX/XX/XXX/.../DBE

STANDARD

TWIN

WITH DBE

Type	Watts 75/65	Watts 55/45	€ cat. 1	€ cat. 2
------	----------------	----------------	-------------	-------------

Type	Watts 75/65	Watts 55/45	€ cat. 1	€ cat. 2
------	----------------	----------------	-------------	-------------

Type	Watts 75/65	Watts 55/45	Watts 35/30	€ cat. 1	€ cat. 2
------	----------------	----------------	----------------	-------------	-------------

L H 035

060	10	529	262	741,80	947,70
	15	805	400	829,80	1081,20
	20	1104	551	910,80	1202,20
080	10	705	349	798,00	1048,70
	15	1074	533	891,70	1191,50
	20	1472	735	988,30	1341,20
100	10	881	436	841,60	1133,40
	15	1342	667	948,00	1301,70
	20	1840	919	1055,80	1464,00
120	10	1057	523	887,40	1225,90
	15	1610	800	1008,10	1410,80
	20	2208	1102	1129,60	1601,20

11	583	279	821,20	1027,00	
	16	870	413	924,70	1176,30
	21	1217	573	996,70	1288,10
11	777	372	893,80	1144,50	
	16	1160	551	1010,70	1310,50
	21	1622	763	1097,80	1450,80
11	971	465	948,20	1240,00	
	16	1450	688	1084,10	1437,70
	21	2028	954	1181,70	1590,20
11	1165	558	1010,20	1348,70	
	16	1740	826	1165,80	1568,50
	21	2434	1145	1279,10	1750,60

---	---	---	---	---	---
---	---	---	---	---	---
---	---	---	---	---	---
11	1077	646	269	1091,10	1341,80
16	1640	984	410	1217,80	1517,60
21	2102	1261	526	1304,80	1657,80
11	1271	763	318	1145,70	1437,20
16	1930	1158	483	1291,20	1644,90
21	2508	1505	627	1388,90	1797,20
11	1765	1059	441	1281,90	1620,40
16	2700	1620	675	1457,20	1860,00
21	3394	2036	849	1570,80	2042,00

L H 050

060	10	591	290	784,70	1052,40
	15	925	456	873,40	1193,20
	20	1284	637	962,60	1338,80
080	10	788	386	843,10	1162,30
	15	1234	609	945,20	1330,70
	20	1712	849	1049,40	1494,00
100	10	985	483	891,00	1264,60
	15	1542	760	1005,80	1448,50
	20	2140	1062	1121,10	1630,60
120	10	1182	579	940,60	1369,00
	15	1850	912	1069,10	1575,40
	20	2568	1274	1198,90	1781,30

11	685	327	864,20	1131,70	
	16	1040	493	968,30	1287,90
	21	1461	689	1048,50	1424,70
11	913	436	938,80	1258,10	
	16	1386	657	1064,10	1449,50
	21	1948	919	1159,00	1603,50
11	1141	544	997,70	1371,20	
	16	1733	822	1141,90	1584,40
	21	2435	1149	1247,20	1756,60
11	1369	653	1063,40	1491,70	
	16	2080	987	1226,90	1733,30
	21	2922	1378	1348,30	1930,70

---	---	---	---	---	---
---	---	---	---	---	---
---	---	---	---	---	---
11	1213	728	303	1136,00	1455,20
16	1866	1120	467	1271,10	1656,70
21	2428	1457	607	1365,90	1810,50
11	1441	865	360	1194,70	1568,30
16	2213	1328	553	1348,80	1791,50
21	2915	1749	729	1454,40	1963,80
11	1969	1181	492	1335,20	1763,50
16	3040	1824	760	1518,30	2024,80
21	3882	2329	971	1640,00	2222,20

L H 065

060	10	653	317	837,90	1165,00
	15	1040	509	934,00	1328,60
	20	1454	717	1030,90	1485,70
080	10	870	423	892,80	1285,50
	15	1386	679	1002,20	1466,90
	20	1938	956	1114,40	1648,90
100	10	1088	529	939,90	1397,70
	15	1733	849	1061,90	1595,30
	20	2423	1195	1185,20	1797,60
120	10	1306	635	993,00	1514,30
	15	2080	1018	1129,20	1735,30
	20	2908	1434	1266,60	1961,70

11	778	369	917,20	1244,30	
	16	1187	562	1029,10	1423,70
	21	1663	786	1116,80	1571,60
11	1037	492	988,60	1381,50	
	16	1582	750	1121,10	1585,80
	21	2218	1049	1223,90	1758,50
11	1296	615	1046,50	1504,40	
	16	1978	937	1197,90	1731,20
	21	2772	1311	1311,20	1923,60
11	1555	738	1115,80	1637,10	
	16	2374	1125	1286,90	1893,10
	21	3326	1573	1416,00	2111,10

---	---	---	---	---	---
---	---	---	---	---	---
---	---	---	---	---	---
11	1337	802	334	1185,70	1578,70
16	2062	1237	516	1328,20	1793,00
21	2698	1619	675	1430,90	1965,50
11	1596	958	399	1243,60	1701,80
16	2458	1475	615	1405,00	1938,60
21	3252	1951	813	1518,20	2130,70
11	2155	1293	539	1387,60	1908,80
16	3334	2000	834	1578,50	2184,60
21	4286	2572	1072	1707,50	2402,60

EN442 output at 20°C room temperature

