



TOP
PERFORMERS
LOW-H₂O

MINI FREESTANDING DBE

Unobtrusive Hercules.

- For spaces with large windows, glazed façades, for window displays, conservatories, under window seats and for dwarf walls.
- Equipped as standard with pipe work guard.
- No wasteful heat loss from radiation through glazing.
- Stable one-piece casing.
- Low-H₂O technology with super conductive and ultra fast heat exchanger for low energy consumption and maximum heat emission.
- Twin Power for better compensation of the downward cold air flow next to glazed façades or ventilation grilles.
- DBE (Dynamic Boost Effect) for compact dimensions at super-low water temperatures from 28 °C.
- Safe surface temperature.
- **A 30 year guarantee** on the heat exchanger.



TOP
PERFOR
MERS

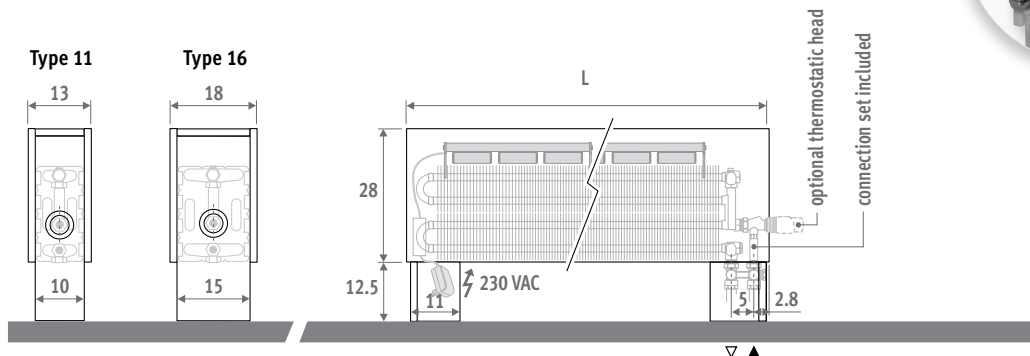
MINI FREESTANDING DBE





MINI FREESTANDING DBE

DIMENSIONS (in cm)



ORDERING CODE

code	height	length	type	colour
MINF. 028 081 11. XXX/DS/DBE/...				
			fill in colour code	
			fill in sleeve coupling code	
			Precision metal tube 14/1	114
			Precision metal tube 15/1	115
			Precision metal tube 16/1	116
			RPE/ALU tube 16/2	316
			(other sleeve couplings: see "Connection sets and Valves")	

DELIVERY

Easy to install.

Standard delivery:

- pre-assembled radiator on integrated feet, consisting of a one piece casing, feet with pipe guard, DBE set incl. operation, control and power supply 12 VDC
- detachable grille
- Jaga thermostatic H-valve and sleeve couplings. Connections 3/4" Eurocone in the foot, left or right.
- straight air vent 1/8"
- collar in stainless steel effect for the connection side

Connection set included

COLOURS

Environmentally friendly, scratch-resistant, high UV resistant powder coating.

Standard colours:

- traffic white RAL 9016 (133), soft touch lightly structured satin lacquer
- sandblast grey (001), fine texture metallic lacquer

Other colours: see colour chart.

PRICES & OUTPUTS

MINF.028 LLL TT.XXX/DS/DBE/...

L	Type	STANDBY*		COMFORT			€	
		Watts 75/65	Watts 55/45	Watts 75/65	Watts 55/45	Watts 35/30	st. colour	other
081	11	871	417	1171	703	293	690,40	833,60
	16	1146	549	1626	976	407	772,00	922,30
101	11	1089	522	1689	1013	422	803,90	950,10
	16	1433	686	2393	1436	598	916,50	1072,00
121	11	1307	626	1907	1144	477	846,10	999,90
	16	1720	824	2680	1608	670	972,70	1136,60
141	11	1525	730	2425	1455	606	965,30	1128,60
	16	2006	961	3446	2068	862	1115,40	1289,00
181	11	1960	939	3160	1896	790	1208,90	1415,30
	16	2579	1235	4499	2699	1125	1408,70	1626,30
241	11	2614	1252	4414	2648	1104	1591,60	1853,80
	16	3439	1647	6319	3791	1580	1915,70	2190,80

* Stand-by is the static output if the activators are not working. Transition from Stand-by to Comfort is effected automatically in accordance with the thermal need. Boost output see: www.jaga.be

Output at 20°C room temperature

OPTIONS

Thermostatic heads



CODE	colour		€
5090.1151	chrome	AC	38,90
5090.1150	white	AW	25,50
5090.1125	white	JW	25,50
5090.1119	silver	JC	35,20

