



Energy
SAVERS
LOW-H₂O

LINEA PLUS

Warm power, slim line

- A Jaga classic with timeless design, the first award winning radiator ever !
- Discreet, slim-line design with perforated and curved grille .
- Clean and simple, flat front panel.
- Partially pre-assembled for quick installation.
- Low-H₂O technology with super conductive and ultra fast heat exchanger for low energy consumption and maximum heat emission.
- Twin Power for better compensation of the downward cold air flow next to glazed façades or ventilation grilles.
- DBE model for super-low water temperatures from 28°C.
- Suitable for an integrated valve and concealed connection.
- Safe surface temperature.
- **A 30 year guarantee** on the heat exchanger.



1990
European
DESIGN PRIZE

Also available as freestanding model for glazed façades.
See page 88 .



35
30

LOW-H₂O
SELECTED AS
THE MOST
ECONOMICAL
RADIATOR

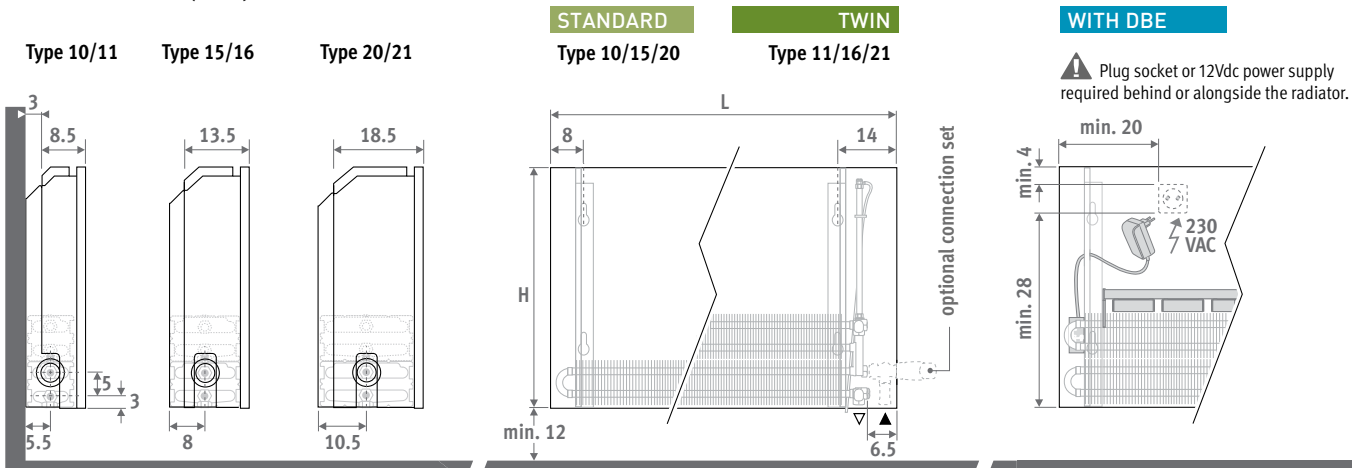
LINEA PLUS



LINEA PLUS



DIMENSIONS (in cm)



DELIVERY

Easy to install by one person. Delivered in a cardboard box, which can also be used as protection on site after installation.

Standard delivery:

- Low-H₂O heat exchanger with wall brackets and fixing kit
- air vent elbow (standard) or automatic air vent (twin) 1/8" and drain plug 1/2"
- partially pre-mounted casing for connection left or right at low level

Delivery with DBE:

- number of DBE unit(s) varies according to the length
- operation, control and power supply 12VDC
- mounting instructions
- packed with the radiator

COLOURS

Environmentally friendly, scratch-resistant, high UV resistant powder coating.

Standard colours:

- traffic white RAL 9016 (133), soft touch lightly structured satin lacquer
- sandblast grey (001), fine texture metallic lacquer

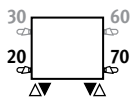
Other colours: see colour chart.

CONNECTION

Standard connection:

Bottom end left or right, to the wall or to the floor. Connection to the wall via the bottom of the casing, or totally concealed within the casing, depending on the valve or connection set chosen.

Optional high level valve: add to the code of the radiator /30 (left) or /60 (right)
Ex. LINW.035 050 10.xxx/60
High level valve details : see "Connection sets & Valves".



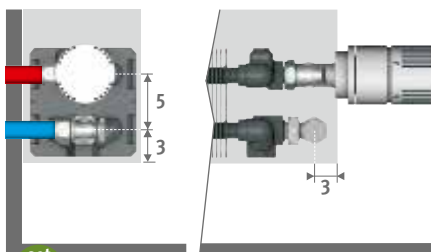
Optional remote controlled valve: add to the code of the radiator /00.

Ex. LINW.035 050 10.xxx/00
For valve set prices see chapter "Connection sets & valves"

CONNECTION SETS

To the wall, totally concealed within the casing

TRV head and sleeve couplings Eurocone 3/4" included.



set 225

CODE 2-PIPE



COLO.SW2.JC.4...

66,60



COLO.SW2.JW.4...

57,00

fill in sleeve coupling code

Precision metal tube 14/1 114

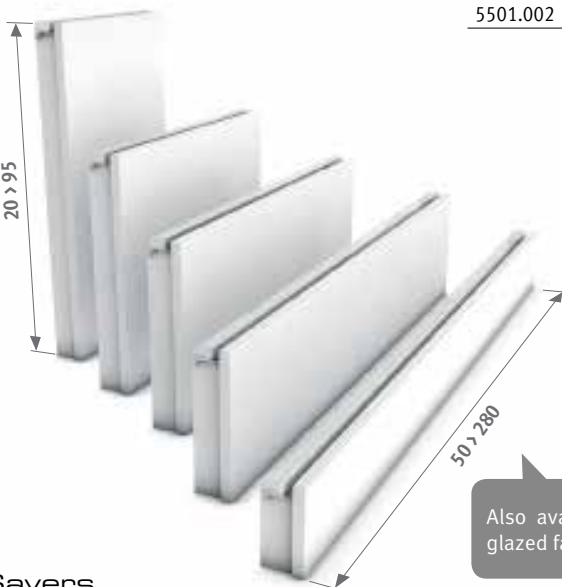
Precision metal tube 15/1 115

Precision metal tube 16/1 116

RPE/ALU tube 16/2 616

Other connections:

See chapter "Connection sets and valves" for all connection options and technical information.



ORDERING CODE

code	height	length	type	colour
LINW . 020	050	10 .	XXX	

fill in colour code ↴

ORDERING CODE WITH DBE

code	height	length	type	colour	Option
LINW . 020	060	06 .	XXX		/DBE

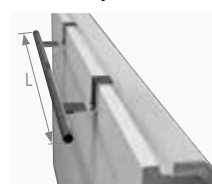
fill in colour code ↴

DBE should be selected according to the power in comfort mode, as stated in the price and output table. The transition between standby (inactive) and comfort is managed automatically depending on the measured temperature and settings. For output in boost mode: see www.jaga.be



TOWEL RAILS

Chrome-plated alu.



Chrome-plated alu.	L	€
5501.001	56	204,70
5501.002	66	204,70

Also available as freestanding model for glazed façades. See page 88.

H020 - LINEA PLUS



LINW.020 LLL TT.XXX

LINW.020 LLL TT.XXX/DBE

L	STANDARD					TWIN					WITH DBE in comfort mode					
	Type	Watts 75/65	Watts 55/45	€ st. colour	€ other	Type	Watts 75/65	Watts 55/45	€ st. colour	€ other	Type	Watts 75/65	Watts 55/45	Watts 35/30	€ st. colour	€ other
050	10	284	136	135,80	172,80	---	---	---	---	---	---	---	---	---	---	---
	15	519	251	161,50	201,30	---	---	---	---	---	---	---	---	---	---	---
	20	697	337	186,50	229,20	---	---	---	---	---	---	---	---	---	---	---
060	10	341	164	145,30	185,00	---	---	---	---	---	10	491	295	123	342,40	381,90
	15	623	301	173,50	215,50	---	---	---	---	---	15	873	524	218	380,40	422,30
	20	836	404	202,50	247,40	---	---	---	---	---	20	1086	652	272	409,30	454,30
070	10	398	191	162,70	203,90	---	---	---	---	---	10	548	329	137	359,70	400,90
	15	727	351	196,80	240,60	---	---	---	---	---	15	977	586	244	403,70	447,50
	20	976	471	233,60	281,40	---	---	---	---	---	20	1226	736	307	440,50	488,30
080	10	454	218	174,40	218,40	---	---	---	---	---	10	604	362	151	371,40	415,40
	15	830	401	213,20	260,50	---	---	---	---	---	15	1080	648	270	420,00	467,30
	20	1115	538	253,10	304,50	---	---	---	---	---	20	1365	819	341	460,10	511,30
090	10	511	245	183,80	230,20	---	---	---	---	---	10	811	487	203	455,30	501,80
	15	934	451	227,00	277,10	---	---	---	---	---	15	1434	860	359	518,30	568,40
	20	1255	606	270,10	324,10	---	---	---	---	---	20	1755	1053	439	561,20	615,30
100	10	568	273	199,60	247,90	---	---	---	---	---	10	868	521	217	471,20	519,50
	15	1038	502	247,70	300,00	---	---	---	---	---	15	1538	923	385	538,90	591,30
	20	1394	673	298,30	355,10	---	---	---	---	---	20	1894	1136	474	589,70	646,60
110	10	625	300	210,10	261,10	---	---	---	---	---	10	925	555	231	481,60	532,60
	15	1142	552	262,10	316,60	---	---	---	---	---	15	1642	985	411	553,60	608,10
	20	1533	740	316,30	376,00	---	---	---	---	---	20	2033	1220	508	607,60	667,10
120	10	682	327	225,00	278,70	---	---	---	---	---	10	982	589	246	496,60	550,20
	15	1246	602	281,70	339,40	---	---	---	---	---	15	1746	1048	437	573,10	630,70
	20	1673	808	340,70	403,70	---	---	---	---	---	20	2173	1304	543	631,90	694,80
140	10	795	382	245,60	303,70	---	---	---	---	---	10	1095	657	274	517,00	575,30
	15	1453	702	310,20	373,30	---	---	---	---	---	15	1953	1172	488	601,50	664,50
	20	1952	943	398,80	467,70	---	---	---	---	---	20	2452	1471	613	690,10	759,00
160	10	909	437	292,20	361,50	---	---	---	---	---	10	1509	905	377	712,60	782,00
	15	1661	803	371,10	445,40	---	---	---	---	---	15	2661	1597	665	831,10	905,40
	20	2230	1077	476,40	557,80	---	---	---	---	---	20	3230	1938	808	936,50	1017,80
180	10	1022	491	317,70	394,20	---	---	---	---	---	10	1622	973	406	738,10	814,70
	15	1868	903	406,10	488,60	---	---	---	---	---	15	2868	1721	717	866,10	948,60
	20	2509	1212	519,20	608,70	---	---	---	---	---	20	3509	2105	877	979,10	1068,80
200	10	1136	546	345,30	430,00	---	---	---	---	---	10	1736	1042	434	765,70	850,60
	15	2076	1003	463,80	555,00	---	---	---	---	---	15	3076	1846	769	923,70	1014,90
	20	2788	1346	564,40	663,40	---	---	---	---	---	20	3788	2273	947	1024,30	1123,40
220	10	1250	600	402,90	503,40	---	---	---	---	---	10	1850	1110	463	823,50	923,70
	15	2284	1104	539,90	647,00	---	---	---	---	---	15	3284	1970	821	999,80	1107,00
	20	3067	1481	657,10	772,70	---	---	---	---	---	20	4067	2440	1017	1117,10	1232,70
240	10	1363	655	433,30	540,80	---	---	---	---	---	10	2263	1358	566	1002,80	1110,20
	15	2491	1204	581,00	696,30	---	---	---	---	---	15	3991	2395	998	1209,70	1325,00
	20	3346	1616	708,60	832,80	---	---	---	---	---	20	4846	2908	1212	1337,40	1461,40
260	10	1477	709	461,00	575,20	---	---	---	---	---	10	2377	1426	594	1030,50	1144,60
	15	2699	1304	617,30	738,90	---	---	---	---	---	15	4199	2519	1050	1245,90	1367,50
	20	3624	1750	755,30	887,20	---	---	---	---	---	20	5124	3074	1281	1384,00	1516,00
280	10	1590	764	486,70	606,50	---	---	---	---	---	10	2490	1494	623	1056,10	1175,80
	15	2906	1404	652,70	781,30	---	---	---	---	---	15	4406	2644	1102	1281,50	1410,00
	20	3903	1885	799,50	938,00	---	---	---	---	---	20	5403	3242	1351	1428,10	1566,60

EN442 output at 20°C room temperature

LINEA PLUS - H035

LINW.035 LLL TT.XXX

L	STANDARD					TWIN				
	Type	Watts 75/65	Watts 55/45	€ st. colour	€ other	Type	Watts 75/65	Watts 55/45	€ st. colour	€ other
050	10	393	190	149,70	193,10	11	549	260	233,10	276,60
	15	659	323	175,70	222,10	16	813	385	274,80	321,10
	20	901	441	203,00	252,80	21	1039	488	292,70	342,40
060	10	471	228	161,00	208,20	11	659	313	248,50	295,70
	15	790	387	189,30	238,80	16	975	461	295,40	344,70
	20	1081	529	220,40	273,90	21	1247	585	317,50	370,70
070	10	550	266	179,00	228,40	11	769	365	278,80	328,10
	15	922	451	213,20	265,20	16	1138	538	336,20	388,10
	20	1261	617	252,20	308,70	21	1455	683	365,70	422,20
080	10	628	304	191,30	243,90	11	878	416	297,50	349,90
	15	1054	516	230,60	286,30	16	1300	615	362,00	418,00
	20	1441	705	272,60	333,20	21	1662	780	394,80	455,10
090	10	707	342	203,00	259,60	11	988	469	313,70	370,20
	15	1185	580	246,50	306,60	16	1463	692	386,70	446,90
	20	1621	793	291,60	356,50	21	1870	878	421,70	486,40
100	10	785	380	219,30	277,70	11	1098	521	340,20	398,70
	15	1317	645	267,50	330,20	16	1625	769	421,70	484,30
	20	1801	881	320,30	388,40	21	2078	975	464,70	532,60
110	10	864	419	230,80	292,60	11	1208	573	357,40	419,40
	15	1449	709	283,30	348,80	16	1788	846	445,30	510,80
	20	1981	969	339,40	410,70	21	2286	1073	492,90	563,90
120	10	942	456	248,20	313,10	11	1318	625	383,00	447,60
	15	1580	774	305,10	374,00	16	1950	923	478,70	547,50
	20	2161	1058	367,00	441,60	21	2494	1170	530,70	605,40
140	10	1099	532	271,50	342,30	11	1537	729	417,40	488,20
	15	1844	903	336,20	411,90	16	2275	1076	526,80	602,60
	20	2521	1234	427,60	510,00	21	2909	1365	621,00	703,40
160	10	1256	608	320,70	405,00	11	1757	833	491,00	575,40
	15	2107	1032	399,90	489,10	16	2600	1230	625,40	714,90
	20	2882	1410	507,90	604,90	21	3325	1560	736,80	833,90
180	10	1413	684	348,80	441,90	11	1976	937	531,70	624,80
	15	2371	1161	437,40	536,70	16	2925	1384	681,80	781,20
	20	3242	1587	553,30	660,30	21	3740	1755	801,40	908,50
200	10	1570	760	378,50	481,30	11	2196	1042	573,70	676,50
	15	2634	1290	497,10	606,40	16	3250	1538	777,70	887,00
	20	3602	1763	600,50	718,10	21	4156	1950	867,50	985,10
220	10	1727	837	438,60	558,60	11	2416	1146	662,30	782,30
	15	2897	1418	575,60	702,80	16	3575	1691	898,90	1026,00
	20	3962	1939	695,90	831,80	21	4572	2146	1004,10	1140,20
240	10	1884	913	473,70	602,00	11	2635	1250	713,10	841,50
	15	3161	1548	621,30	757,70	16	3900	1845	966,90	1103,30
	20	4322	2115	752,20	898,10	21	4987	2340	1083,60	1229,40
260	10	2041	989	503,40	639,80	11	2855	1354	757,20	893,50
	15	3424	1676	659,50	803,80	16	4225	1999	1026,40	1170,60
	20	4683	2292	800,80	955,90	21	5403	2536	1152,90	1308,10
280	10	2198	1065	531,10	675,10	11	3074	1458	798,40	942,50
	15	3688	1806	697,00	850,10	16	4550	2153	1084,50	1237,40
	20	5043	2468	847,30	1010,90	21	5818	2730	1220,10	1383,80

EN442 output at 20°C room temperature

LINW.035 LLL TT.XXX/DBE

Type	WITH DBE in comfort mode				
	Watts 75/65	Watts 55/45	Watts 35/30	€ st. colour	€ other
---	---	---	---	---	---
---	---	---	---	---	---
---	---	---	---	---	---
11	959	575	240	445,60	492,80
16	1455	873	364	502,10	551,70
21	1727	1036	432	524,50	577,80
11	1069	641	267	475,90	525,10
16	1618	971	405	543,10	595,00
21	1935	1161	484	572,70	629,10
11	1178	707	295	494,40	546,90
16	1780	1068	445	569,10	625,00
21	2142	1285	536	601,60	662,20
11	1588	953	397	585,20	641,70
16	2423	1454	606	678,00	738,10
21	2830	1698	708	712,90	777,70
11	1698	1019	425	611,80	670,20
16	2585	1551	646	712,90	775,60
21	3038	1823	760	755,90	823,90
11	1808	1085	452	629,10	690,90
16	2748	1649	687	736,60	802,10
21	3246	1948	812	784,00	855,20
11	1918	1151	480	654,40	719,10
16	2910	1746	728	770,00	838,80
21	3454	2072	864	821,80	896,70
11	2137	1282	534	688,90	759,60
16	3235	1941	809	818,10	893,90
21	3869	2321	967	912,40	994,70
11	2957	1774	739	911,60	995,90
16	4520	2712	1130	1085,40	1174,70
21	5245	3147	1311	1196,90	1294,00
11	3176	1906	794	952,10	1045,20
16	4845	2907	1211	1141,80	1241,20
21	5660	3396	1415	1261,30	1368,50
11	3396	2038	849	994,10	1097,00
16	5170	3102	1293	1237,80	1347,10
21	6076	3646	1519	1327,40	1445,10
11	3616	2170	904	1082,60	1202,70
16	5495	3297	1374	1358,90	1486,10
21	6492	3895	1623	1464,20	1600,30
11	4435	2661	1109	1282,50	1410,80
16	6780	4068	1695	1595,70	1732,00
21	7867	4720	1967	1712,40	1858,30
11	4655	2793	1164	1326,60	1463,00
16	7105	4263	1776	1655,00	1799,30
21	8283	4970	2071	1781,70	1936,80
11	4874	2924	1219	1367,60	1511,70
16	7430	4458	1858	1713,10	1866,20
21	8698	5219	2175	1849,00	2012,50

H 050 - LINEA PLUS



LINW.050 LLL TT.XXX

LINW.050 LLL TT.XXX/DBE

L	STANDARD				
	Type	Watts 75/65	Watts 55/45	€ st. colour	€ other
050	10	482	236	161,30	210,50
	15	767	381	189,40	242,50
	20	1060	526	218,60	275,50
060	10	578	282	173,00	226,60
	15	920	456	203,60	260,40
	20	1272	631	236,60	297,80
070	10	675	330	192,50	249,20
	15	1073	532	229,00	289,20
	20	1484	736	269,90	335,30
080	10	771	377	205,90	266,50
	15	1226	608	247,30	312,10
	20	1696	841	291,30	361,30
090	10	868	424	218,30	283,10
	15	1380	685	263,90	333,40
	20	1908	946	310,90	385,50
100	10	964	471	234,70	302,20
	15	1533	761	285,40	357,80
	20	2120	1051	340,00	418,30
110	10	1060	518	247,80	319,40
	15	1686	837	302,40	378,40
	20	2332	1156	360,50	442,90
120	10	1157	565	267,80	343,10
	15	1840	913	327,40	407,90
	20	2544	1262	391,50	478,40
140	10	1350	660	292,80	375,50
	15	2146	1065	360,60	449,10
	20	2968	1472	454,00	549,80
160	10	1542	753	345,90	444,50
	15	2453	1217	427,80	532,40
	20	3392	1682	538,20	651,10
180	10	1735	848	375,60	484,00
	15	2759	1369	467,00	582,60
	20	3816	1892	585,10	709,10
200	10	1928	942	407,10	526,70
	15	3066	1521	528,60	655,70
	20	4240	2103	634,20	770,30
220	10	2121	1036	469,80	608,60
	15	3373	1674	609,70	756,50
	20	4664	2313	732,00	888,50
240	10	2314	1131	508,20	656,60
	15	3679	1825	659,20	816,70
	20	5088	2523	793,10	960,50
260	10	2506	1224	540,50	699,10
	15	3986	1978	700,10	867,40
	20	5512	2733	844,10	1022,80
280	10	2699	1319	570,10	737,30
	15	4292	2130	739,60	916,60
	20	5936	2944	892,60	1080,80

Type	TWIN				
	Watts 75/65	Watts 55/45	€ st. colour	€ other	
11	655	311	244,60	293,90	
16	976	462	287,50	340,30	
21	1282	600	308,50	365,40	
11	785	373	260,50	314,00	
16	1171	555	308,50	365,20	
21	1538	720	333,80	395,00	
11	916	436	292,40	349,10	
16	1366	647	350,70	411,10	
21	1795	840	383,50	449,00	
11	1047	498	311,90	372,60	
16	1561	739	377,70	442,70	
21	2051	960	413,40	483,70	
11	1178	560	328,90	393,70	
16	1756	832	402,70	472,30	
21	2308	1080	440,90	515,50	
11	1309	623	355,90	423,20	
16	1951	924	438,40	510,80	
21	2564	1200	484,40	562,90	
11	1440	685	374,50	446,00	
16	2146	1016	463,20	539,20	
21	2820	1320	514,00	596,40	
11	1571	747	402,40	477,60	
16	2341	1109	499,20	579,50	
21	3077	1440	555,60	642,30	
11	1833	872	438,90	521,70	
16	2731	1293	549,40	638,00	
21	3590	1680	648,00	743,90	
11	2094	996	516,10	614,80	
16	3122	1479	651,50	756,20	
21	4102	1920	767,40	880,20	
11	2356	1120	558,40	666,70	
16	3512	1663	709,60	825,20	
21	4615	2160	833,30	957,40	
11	2618	1245	602,20	721,90	
16	3902	1848	807,20	934,30	
21	5128	2400	901,50	1037,60	
11	2880	1370	693,50	832,40	
16	4292	2033	930,90	1077,90	
21	5641	2641	1040,60	1197,00	
11	3142	1494	747,70	896,10	
16	4682	2218	1002,30	1159,70	
21	6154	2881	1124,80	1292,10	
11	3403	1618	794,30	953,00	
16	5073	2403	1064,50	1231,90	
21	6666	3120	1196,60	1375,40	
11	3665	1743	837,40	1004,50	
16	5463	2587	1124,60	1301,50	
21	7179	3360	1265,80	1453,80	

Type	WITH DBE in comfort mode				
	Watts 75/65	Watts 55/45	Watts 35/30	€ st. colour	€ other
---	---	---	---	---	---
---	---	---	---	---	---
---	---	---	---	---	---
11	1085	651	271	457,50	511,10
16	1651	991	413	515,50	572,20
21	2018	1211	505	540,90	601,80
11	1216	730	304	489,40	546,00
16	1846	1108	462	557,60	618,00
21	2275	1365	569	590,40	655,80
11	1347	808	337	508,90	569,60
16	2041	1225	510	584,70	649,60
21	2531	1519	633	620,50	690,60
11	1778	1067	445	600,30	665,20
16	2716	1630	679	694,10	763,60
21	3268	1961	817	732,10	806,90
11	1909	1145	477	627,20	694,70
16	2911	1747	728	729,70	802,10
21	3524	2114	881	775,70	854,30
11	2040	1224	510	645,90	717,50
16	3106	1864	777	754,50	830,50
21	3780	2268	945	805,20	887,60
11	2171	1303	543	673,90	749,10
16	3301	1981	825	790,60	870,80
21	4037	2422	1009	846,80	933,60
11	2433	1460	608	710,40	793,10
16	3691	2215	923	840,80	929,30
21	4550	2730	1138	939,30	1035,00
11	3294	1976	824	936,70	1035,30
16	5042	3025	1261	1111,50	1216,10
21	6022	3613	1506	1227,20	1340,20
11	3556	2134	889	978,80	1087,30
16	5432	3259	1358	1169,60	1285,10
21	6535	3921	1634	1293,40	1417,30
11	3818	2291	955	1022,80	1142,40
16	5822	3493	1456	1267,40	1394,40
21	7048	4229	1762	1361,50	1497,60
11	4080	2448	1020	1113,80	1252,80
16	6212	3727	1553	1391,10	1538,00
21	7561	4537	1890	1500,60	1657,00
11	4942	2965	1236	1317,10	1465,50
16	7562	4537	1891	1631,20	1788,40
21	9034	5420	2259	1753,50	1921,00
11	5203	3122	1301	1363,60	1522,20
16	7953	4772	1988	1693,30	1860,60
21	9546	5728	2387	1825,40	2004,10
11	5465	3279	1366	1406,80	1573,90
16	8343	5006	2086	1753,30	1930,10
21	10059	6035	2515	1894,50	2082,60

EN442 output at 20°C room temperature

LINEA PLUS - H065

LINW.065 LLL TT.XXX

L	STANDARD					TWIN				
	Type	Watts 75/65	Watts 55/45	€ st. colour	€ other	Type	Watts 75/65	Watts 55/45	€ st. colour	€ other
050	10	561	277	173,50	229,50	11	742	354	256,70	312,60
	15	858	432	203,90	264,30	16	1114	528	302,80	363,30
	20	1196	601	235,40	299,90	21	1503	702	325,00	389,80
060	10	673	332	186,10	246,70	11	890	424	273,50	334,00
	15	1029	518	218,90	283,60	16	1336	634	324,80	389,50
	20	1435	721	254,40	323,40	21	1803	842	351,30	420,40
070	10	785	387	206,70	270,90	11	1038	495	306,30	370,60
	15	1201	604	245,30	314,20	16	1559	740	368,10	436,90
	20	1674	841	288,40	362,70	21	2104	983	402,00	476,10
080	10	897	442	221,80	291,10	11	1186	565	327,30	396,80
	15	1372	690	265,20	339,70	16	1782	845	396,70	471,10
	20	1913	961	311,50	391,30	21	2404	1123	433,50	513,40
090	10	1009	497	234,10	308,30	11	1335	637	344,70	418,70
	15	1544	777	282,00	361,60	16	2004	951	422,10	501,70
	20	2152	1081	331,40	416,10	21	2705	1264	461,10	546,00
100	10	1121	553	251,40	328,60	11	1483	707	372,20	449,30
	15	1715	863	304,40	387,10	16	2227	1056	458,20	541,10
	20	2391	1201	361,10	450,00	21	3005	1404	505,60	594,50
110	10	1233	608	264,80	346,40	11	1631	778	391,40	473,00
	15	1887	949	321,80	408,60	16	2450	1162	483,70	570,50
	20	2630	1321	382,10	475,60	21	3306	1544	535,50	628,80
120	10	1345	663	288,90	375,70	11	1780	849	423,40	510,40
	15	2058	1035	351,20	444,00	16	2672	1267	524,60	617,30
	20	2869	1441	418,70	518,20	21	3606	1685	582,40	682,00
140	10	1569	773	315,10	410,40	11	2076	990	460,70	556,00
	15	2401	1208	385,40	487,20	16	3118	1479	575,60	677,40
	20	3347	1681	482,20	591,40	21	4207	1965	676,00	785,20
160	10	1794	884	371,10	484,10	11	2373	1131	541,10	654,10
	15	2744	1380	455,70	575,30	16	3563	1690	680,90	800,60
	20	3826	1922	569,30	697,60	21	4808	2246	798,00	926,40
180	10	2018	995	402,70	527,20	11	2669	1273	585,60	709,80
	15	3087	1553	496,90	629,10	16	4009	1902	741,00	873,30
	20	4304	2162	618,30	759,20	21	5409	2527	866,30	1007,30
200	10	2242	1105	436,70	574,10	11	2966	1414	631,80	769,30
	15	3430	1725	560,80	706,50	16	4454	2113	841,20	986,80
	20	4782	2402	670,00	824,80	21	6010	2808	936,90	1091,80
220	10	2466	1215	501,50	659,00	11	3263	1556	724,90	882,50
	15	3773	1898	644,10	810,30	16	4899	2324	966,90	1133,20
	20	5260	2642	769,80	946,10	21	6611	3088	1078,00	1254,20
240	10	2690	1326	544,00	713,30	11	3559	1697	783,10	952,30
	15	4116	2071	698,00	876,90	16	5345	2535	1043,30	1222,30
	20	5738	2882	836,40	1025,70	21	7212	3369	1167,70	1357,00
260	10	2915	1437	578,10	758,70	11	3856	1838	831,70	1012,20
	15	4459	2243	740,70	930,70	16	5790	2746	1107,40	1297,40
	20	6217	3123	889,50	1091,10	21	7813	3650	1241,70	1443,30
280	10	3139	1547	609,90	800,40	11	4152	1980	876,70	1067,50
	15	4802	2416	782,20	983,50	16	6236	2958	1169,30	1370,50
	20	6695	3363	939,70	1152,50	21	8414	3931	1312,50	1525,30

EN442 output at 20°C room temperature

LINW.065 LLL TT.XXX/DBE

Type	WITH DBE in comfort mode				
	Watts 75/65	Watts 55/45	Watts 35/30	€ st. colour	€ other
---	---	---	---	---	---
---	---	---	---	---	---
---	---	---	---	---	---
11	1190	714	298	470,70	531,20
16	1816	1090	454	531,80	596,50
21	2283	1370	571	558,20	627,40
11	1338	803	335	503,40	567,70
16	2039	1223	510	575,00	643,90
21	2584	1550	646	608,80	683,00
11	1486	892	372	524,60	593,90
16	2262	1357	566	603,60	678,20
21	2884	1730	721	640,60	720,40
11	1935	1161	484	616,10	690,20
16	2964	1778	741	713,40	793,00
21	3665	2199	916	752,50	837,40
11	2083	1250	521	643,90	720,80
16	3187	1912	797	749,40	832,30
21	3965	2379	991	796,80	885,80
11	2231	1339	558	663,00	744,40
16	3410	2046	853	774,90	861,70
21	4266	2560	1067	826,70	920,10
11	2380	1428	595	694,90	781,90
16	3632	2179	908	815,90	908,70
21	4566	2740	1142	873,60	973,20
11	2676	1606	669	732,20	827,50
16	4078	2447	1020	867,10	968,80
21	5167	3100	1292	967,20	1076,50
11	3573	2144	893	961,40	1074,60
16	5483	3290	1371	1140,90	1260,60
21	6728	4037	1682	1258,10	1386,40
11	3869	2321	967	1005,90	1130,20
16	5929	3557	1482	1200,90	1333,10
21	7329	4397	1832	1326,30	1467,20
11	4166	2500	1042	1052,20	1189,80
16	6374	3824	1594	1301,20	1446,80
21	7930	4758	1983	1396,80	1551,70
11	4463	2678	1116	1145,40	1302,80
16	6819	4091	1705	1427,00	1593,20
21	8531	5119	2133	1538,00	1714,20
11	5359	3215	1340	1352,50	1521,90
16	8225	4935	2056	1672,00	1851,00
21	10092	6055	2523	1796,40	1985,60
11	5656	3394	1414	1401,10	1581,60
16	8670	5202	2168	1736,10	1926,10
21	10693	6416	2673	1870,40	2072,10
11	5952	3571	1488	1446,20	1636,90
16	9116	5470	2279	1797,90	1999,20
21	11294	6776	2824	1941,20	2154,00

H095 - LINEA PLUS



LINW.095 LLL TT.XXX

LINW.095 LLL TT.XXX/DBE

L	STANDARD					TWIN					WITH DBE in comfort mode					
	Type	Watts 75/65	Watts 55/45	€ st. colour	€ other	Type	Watts 75/65	Watts 55/45	€ st. colour	€ other	Type	Watts 75/65	Watts 55/45	Watts 35/30	€ st. colour	€ other
050	---	---	---	---	---	---	---	---	---	---	---	---	---	---	---	---
060	10	838	420	207,10	280,30	11	1055	505	294,80	367,80	11	1355	813	339	491,70	564,90
	15	1210	625	245,20	323,90	16	1608	765	351,00	429,60	16	2088	1253	522	558,00	636,50
	20	1706	880	279,50	362,40	21	2290	1065	377,00	459,70	21	2770	1662	693	583,90	666,60
070	10	977	490	228,80	306,30	11	1231	590	328,60	406,10	11	1531	919	383	525,60	603,20
	15	1411	729	272,50	356,20	16	1876	892	395,50	479,00	16	2356	1414	589	602,40	686,00
	20	1991	1027	314,80	402,90	21	2671	1242	428,60	517,00	21	3151	1891	788	635,40	723,80
080	10	1117	560	246,20	330,80	11	1406	673	352,20	436,60	11	1706	1024	427	549,10	633,70
	15	1613	833	294,90	385,90	16	2144	1020	426,30	517,40	16	2624	1574	656	633,10	724,30
	20	2275	1173	340,30	436,30	21	3053	1420	462,70	558,70	21	3533	2120	883	669,50	765,70
090	10	1256	630	260,90	351,30	11	1582	758	371,60	462,10	11	2182	1309	546	643,10	733,60
	15	1814	937	313,80	411,30	16	2412	1147	453,80	551,40	16	3372	2023	843	745,10	842,60
	20	2560	1320	362,40	464,60	21	3434	1597	492,60	594,80	21	4394	2636	1099	783,70	886,10
100	10	1396	700	283,10	379,90	11	1758	842	404,00	500,90	11	2358	1415	590	675,60	772,30
	15	2016	1041	340,90	445,20	16	2680	1275	494,90	599,00	16	3640	2184	910	786,10	890,30
	20	2844	1467	397,20	506,70	21	3816	1774	541,70	651,40	21	4776	2866	1194	833,10	942,70
110	10	1536	771	299,40	403,10	11	1934	926	426,20	529,80	11	2534	1520	634	697,70	801,40
	15	2218	1146	361,50	472,00	16	2948	1402	523,20	633,80	16	3908	2345	977	814,50	925,00
	20	3128	1613	421,10	537,60	21	4198	1952	574,60	690,90	21	5158	3095	1290	865,90	982,30
120	10	1675	840	326,10	435,50	11	2110	1011	460,60	570,20	11	2710	1626	678	732,10	841,70
	15	2419	1250	395,10	511,80	16	3216	1529	568,30	685,20	16	4176	2506	1044	859,60	976,40
	20	3413	1760	461,40	584,30	21	4579	2129	625,70	748,70	21	5539	3323	1385	917,00	1039,90
140	10	1954	980	358,20	480,20	11	2461	1179	504,20	626,30	11	3061	1837	765	775,80	897,70
	15	2822	1458	435,30	565,30	16	3752	1784	625,50	755,70	16	4712	2827	1178	917,10	1047,10
	20	3982	2054	531,30	668,30	21	5342	2484	725,20	862,40	21	6302	3781	1576	1016,50	1153,60

EN442 output at 20°C room temperature