



Energy
SAVERS
LOW-H₂O

LINEA PLUS FREESTANDING

Warm power, slim line

- For spaces with large windows, glazed façades, for window displays, conservatories, under window seats and for dwarf walls.
- Discreet slim-line design with flat front panel and stylish aluminium grille.
- No wasteful heat loss from radiation through glazing.
- Low-H₂O technology with super conductive and ultra fast heat exchanger for low energy consumption and maximum heat emission.
- Twin Power for better compensation of the downward cold air flow next to glazed façades or ventilation grilles.
- Suitable for integrated valve.
- Safe surface temperature.
- **A 30 year guarantee** on the heat exchanger.

Also available as a wall mounted model. See page 30.

LINEA PLUS white 133 (RAL 9016)



LOW-H₂O
SELECTED AS
THE MOST
ECONOMICAL
RADIATOR

LINEA PLUS FREESTANDING



LINEA PLUS FREESTANDING

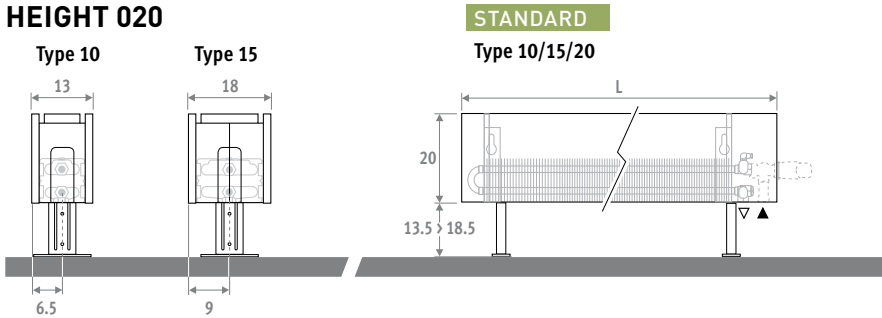
EN 442

55 45

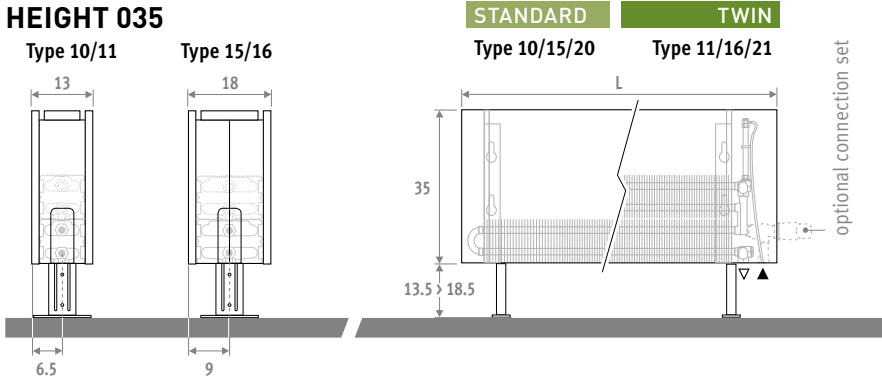
30 YEAR GUARANTEE HEAT EXCHANGER

DIMENSIONS (in cm)

HEIGHT 020



HEIGHT 035



Also available as a wall mounted model. See page 30.

DELIVERY

Easy to install by one person. Delivered in a cardboard box, which can also be used as protection on site after installation.

Standard delivery:

- Low-H₂O heat exchanger with air vent elbow (standard) or extended air vent (twin) 1/8" and drain plug 1/2"
- connection left or right below
- standard adjustable feet in neutral grey

COLOURS

Environmentally friendly, scratch-resistant, high UV resistant powder coating.

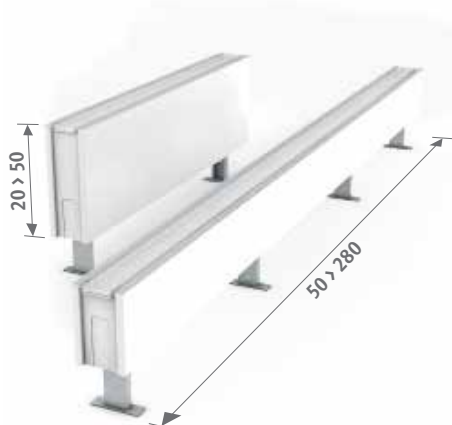
Standard colours:

- traffic white RAL 9016 (133), soft touch lightly structured satin lacquer
- sandblast grey (001), fine texture metallic lacquer

Other colours: see colour chart.

CONNECTION

Standard connection: bottom end left or right



OPTIONS

Feet in the same colour as the casing

For feet in the same colour as the casing, repeat the colour code after the code of the radiator.

ex.: LINF. HHH LLL TT.XXX/XXX

Surcharge	Length casing	feet	€
	050 > 110	2 feet	16,00
	120 > 220	3 feet	24,00
	240 > 300	4 feet	32,00

Extended adjustable feet

- For installation on a rough subfloor or computer floor.

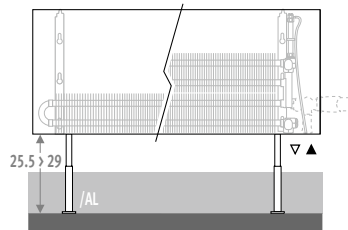
- For extended feet in neutral grey, add /AL to the ordering code.

ex.: LINF. 020 050 10.XXX/AL

- For extended feet in the same colour as the casing, add /AL to the ordering code and repeat the colour code.

ex.: LINF. 020 050 10.XXX/AL/XXX

Surcharge	Length casing	grey	colour	€
	050 > 110	2 feet	7,20	26,70
	120 > 220	3 feet	10,80	40,10
	240 > 380	4 feet	14,30	53,50



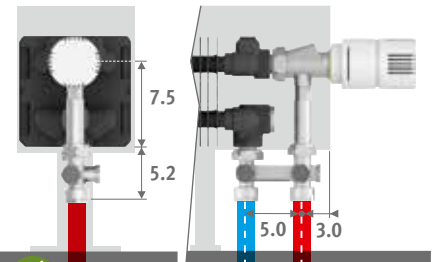
ORDERING CODE

code	height	length	type	colour
LINF .	020	050	10 .	XXX
fill in colour code				

CONNECTION SETS

Jaga H-valve to the floor for one or two pipe

TRV head and sleeve couplings Eurocone 3/4" included.



set 104	CODE 1-PIPE/2-PIPE	€
	COLO.HBSF.JC.4...	82,50
	COLO.HBSF.JW.4...	72,80

fill in sleeve coupling code

Precision metal tube 14/1 114

Precision metal tube 15/1 115

Precision metal tube 16/1 116

RPE/ALU tube 16/2 616

Other connections:

see chapter "Connection sets and valves" for all connection options and technical information.

LINEA PLUS FREESTANDING



LINF.HHH LLL TT.XXX

STANDARD						
L	H 020	Type	Watts	Watts	€	€
			75/65	55/45	st. colour	other
050	10	271	130	195,40	252,40	
	15	483	233	230,20	295,80	
060	10	325	156	206,70	266,60	
	15	580	280	244,20	313,00	
070	10	379	182	225,60	288,40	
	15	676	327	269,80	342,00	
080	10	433	208	240,70	308,80	
	15	773	373	288,90	367,00	
090	10	487	234	253,10	326,00	
	15	869	420	305,20	387,80	
100	10	541	260	270,00	345,10	
	15	966	467	327,00	412,50	
110	10	595	286	281,50	360,00	
	15	1063	514	343,50	432,70	
120	10	649	312	315,80	399,60	
	15	1159	560	382,00	476,30	
140	10	757	364	340,90	432,40	
	15	1352	653	415,20	517,90	
160	10	866	416	401,60	513,90	
	15	1546	747	490,70	614,90	
180	10	974	468	435,30	560,40	
	15	1739	840	532,40	670,00	
200	10	1082	520	471,30	610,60	
	15	1932	933	599,20	751,50	
220	10	1190	571	549,50	718,50	
	15	2125	1027	695,90	878,80	
240	10	1298	623	603,90	786,00	
	15	2318	1120	761,00	957,70	
260	10	1407	676	638,40	831,50	
	15	2512	1214	804,80	1013,00	
280	10	1515	728	670,60	874,30	
	15	2705	1307	846,10	1065,30	

STANDARD					
H 035	Type	Watts	Watts	€	€
		75/65	55/45	st. colour	other
10	392	190	216,00	283,60	
15	673	330	252,10	329,40	
10	470	228	229,90	302,90	
15	808	396	268,90	352,00	
10	548	265	250,30	327,00	
15	942	461	295,70	383,10	
10	626	303	267,40	350,20	
15	1077	527	316,90	410,90	
10	705	341	283,90	374,40	
15	1211	593	337,50	438,80	
10	783	379	301,40	395,10	
15	1346	659	360,00	464,80	
10	861	417	315,20	413,30	
15	1481	725	378,60	488,60	
10	940	455	352,20	456,00	
15	1615	791	419,50	534,90	
10	1096	531	382,10	496,90	
15	1884	922	457,80	584,80	
10	1253	607	448,70	588,60	
15	2154	1055	538,90	692,10	
10	1409	683	487,20	643,50	
15	2423	1186	586,10	755,70	
10	1566	759	527,40	700,80	
15	2692	1318	656,50	843,90	
10	1723	835	610,60	817,20	
15	2961	1450	758,40	979,70	
10	1879	910	671,80	893,80	
15	3230	1581	829,90	1067,70	
10	2036	986	710,00	946,00	
15	3500	1714	877,70	1129,60	
10	2192	1062	746,60	996,90	
15	3769	1845	923,30	1190,10	

TWIN					
Type	Watts	Watts	€	€	
	75/65	55/45	st. colour	other	
11	524	249	299,10	366,90	
16	733	347	351,20	428,60	
11	629	298	317,70	390,70	
16	879	416	374,90	458,00	
11	734	348	350,10	426,80	
16	1026	485	418,80	506,10	
11	838	398	373,40	456,30	
16	1172	555	448,40	542,50	
11	943	447	394,50	485,00	
16	1319	624	477,60	579,10	
11	1048	497	422,40	516,00	
16	1465	693	514,20	619,00	
11	1153	547	441,90	540,20	
16	1612	763	540,60	650,80	
11	1258	597	486,70	590,50	
16	1758	832	593,10	708,50	
11	1467	696	528,30	642,80	
16	2051	970	648,30	775,30	
11	1677	795	619,00	758,90	
16	2344	1109	764,70	917,50	
11	1886	895	670,10	826,50	
16	2637	1248	830,40	1000,00	
11	2096	994	722,50	895,80	
16	2930	1386	937,10	1124,50	
11	2306	1094	834,40	1040,90	
16	3223	1525	1081,60	1303,00	
11	2515	1193	911,00	1133,20	
16	3516	1664	1175,40	1413,20	
11	2725	1293	963,80	1199,80	
16	3809	1802	1244,50	1496,60	
11	2934	1392	1013,90	1264,30	
16	4102	1941	1310,70	1577,40	

EN442 output at 20°C room temperature