



# Brise





# Brise

## THE MOST POWERFULL HEATING

To make your conservatory, greenhouse or workshop cosy and to heat it up fast. A single Ventilator will do the job, thanks to his integrated air flow control. The BRISE is not only a technically superb product, it distinguishes itself also by a stylish design and impeccable finish, which makes it blend into any interior design.

## FLEXIBLE APPLICATION

For the air treatment of shops, offices, schools, hotels, conference rooms, conservatories, etc...

Jaga's large range offers a ventilator-fan convector for every application:

- > heating or cooling by the standard battery (with 2 tubes) on a wet heating system. Heating also by an electric element.
- > heating and cooling by the standard battery and second heat exchanger. Heating and cooling in separated circuits.
- > ventilation by an optional "air mixing box" for inside and outside air.

## HIGH COMFORT AND EFFICIENT ENERGY USE

Due to its very low water content and high capacity Jaga ventilator-fan convectors react immediately to strong temperature changes. The silent fan quickly creates an equal and ideal air distribution, even in very large rooms.

## EASY TO INSTALL

The BRISE is light and compact. The construction is perfectly designed up to the smallest detail in order to keep the installation as easy as possible. There is sufficient space provided for an easy connection and installation of the accessories within the strict minimum dimensions of the Brise.

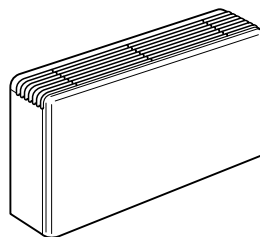
The BRISE may be mounted on both wall and ceiling, free-standing, and also suitable for enclosing.

## COLOUR

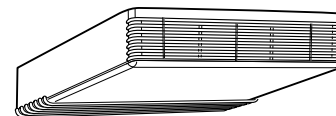
Model BRIW and BRIC: metal casing with smooth light grey metallic lacquer. Grilles of heat-resistant dark grey ABS.

## TYPES

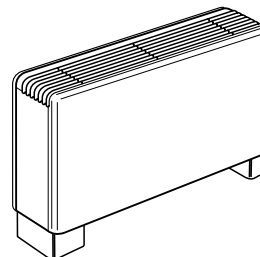
BRIW: **BRISE WALL**



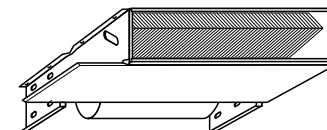
BRIC: **BRISE CEILING**



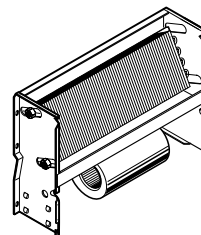
BRIF: **BRISE Free-standing**



BRBC: **BRISE BUILD-IN CEILING**

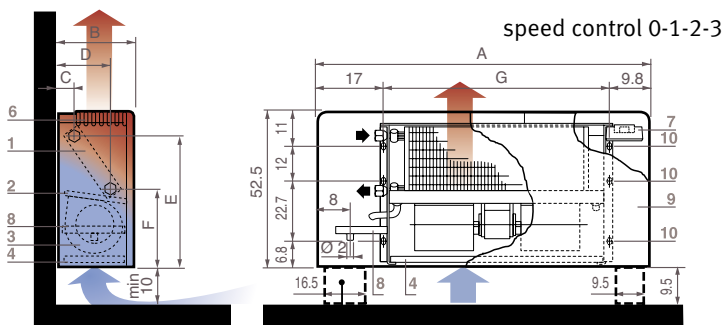


BRBW: **BRISE BUILD-IN WALL**



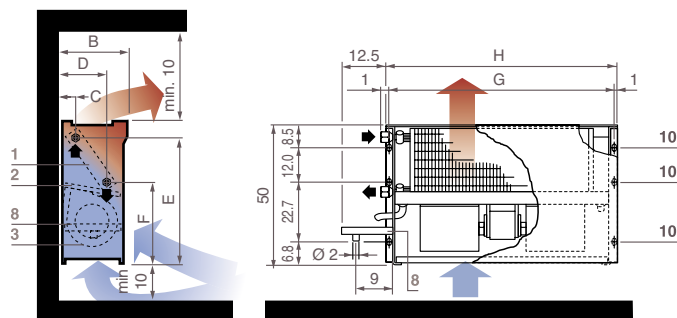
## DIMENSIONS

### BRIW > BRISE WALL



**BRIF = BRIW + feet + rear panel.**  
 Feet are equipped with a cover plate for connection tubes.

### BRBW > BRISE BUILD-IN WALL



## PARTS

1. Heat exchanger
2. Condensation tray
3. Fan(s)
4. Recyclable air filter (option for model BRBW)
6. Air exhausting grille
7. Switch
8. Additional Condensation tray (option)
9. Casing
10. Holes for fixing to the wall

> BRBW may also be fitted horizontally when it will only be used for heating.  
 > Provide an air vent on the central heating tube.

## DIMENSIONS MODEL BRIW, BRIF AND BRBW

	Size	02	03	04	06	08	10
A		82.5	82.5	110.0	110.0	137.5	165.0
B		23.0	23.0	23.0	23.0	27.5	27.5
C		4.5	4.5	4.5	4.5	4.5	4.5
D		15.3	15.3	15.3	15.3	22.5	22.5
E		45.5	45.5	45.5	45.5	46.3	46.3
F		25.5	25.5	25.5	25.5	26.0	26.0
G		55.7	55.7	83.2	83.2	110.7	138.2
H		57.5	57.5	85.2	85.2	112.7	140.2
conn. heat exchanger		1/2"G	1/2"G	1/2"G	3/4"G	3/4"G	3/4"G
conn. air vent		1/8"	1/8"	1/8"	1/8"	1/8"	1/8"
Weight in kg:							
BRIW (with casing)		18	19	24	26	38	50
BRBW (without casing)		14	14.5	15	20.5	33	43.5





## TECHNICAL DATA

Size		02	03	04	06	08	10
Heat output at $\Delta T$ 50	75/65 °C - 20°C						
	kW max.	4.00	5.56	8.07	11.53	19.48	21.02
	med.	3.60	5.00	7.26	10.38	16.78	18.92
	min.	3.04	4.22	6.13	8.76	14.17	15.97
Heat output at $\Delta T$ 60	90/70 °C - 20°C						
	kW max.	4.80	6.67	9.69	13.84	23.38	25.23
	med.	4.32	6.00	8.72	12.46	20.14	22.71
	min.	3.65	5.07	7.36	10.52	17.01	19.17
Total cooling capacity at	7/12°C - 19°C N.B.						
	kW max.	1.63	2.28	3.37	4.88	8.02	9.97
	med.	1.47	2.05	3.03	4.39	7.22	8.79
	min.	1.24	1.73	2.56	3.71	6.10	7.40
Perceptible cooling capacity at	7/12°C - 25°C D.B.						
	kW max.	1.16	1.67	2.40	3.50	5.80	6.90
	med.	1.04	1.50	2.16	3.15	5.22	6.21
	min.	0.88	1.27	1.28	2.66	4.41	5.24
Air flow	m <sup>3</sup> /u						
	max.	380	500	700	880	1350	1700
	med.	295	390	545	690	1050	1325
	min.	220	290	410	510	720	955
Sound level. Frame of reference 0.0002 $\mu$ bar	dbA/NR max.	41/36	47/42	44/39	50/46	50/45	53/50
	med.	35/31	35/31	36/32	37/33	43/38	43/38
	min.	29/25	29/26	30/26	31/27	33/30	37/33
Electric connection	V - f - Hz	230-1-50	230-1-50	230-1-50	230-1-50	230-1-50	230-1-50
Water content	litre	0.66	0.86	1.34	1.96	3.75	4.03
Sound level Db reference=10 <sup>-12</sup> w (1)	HZ 125 max./med./min.	48/45/42	52/46/42	49/44/38	53/45/38	55/49/45	58/50/46
	HZ 250 max./med./min.	46/44/39	52/45/40	50/43/38	55/44/39	57/50/43	60/51/46
	HZ 500 max./med./min.	46/40/35	51/41/36	49/41/36	56/42/37	54/47/40	57/50/44
	HZ 1000 max./med./min.	42/36/30	47/37/31	49/37/32	51/38/34	51/44/35	55/46/40
	HZ 2000 max./med./min.	37/30/23	44/31/23	39/30/24	46/30/25	47/39/30	53/44/34
	HZ 4000 max./med./min.	32/26/23	40/27/22	36/26/21	41/27/22	42/36/27	47/38/29
	HZ 8000 max./med./min.	25/24/20	37/26/20	33/25/20	37/26/21	34/30/21	39/29/27
Sound level (2) reference=0.0002 $\mu$ bar	NR/NC/dBa	42/45/48	42/46/52	38/44/49	38/45/53	45/49/55	46/50/58
Number of fans		1	1	2	2	2	3
Number of motors		1	1	1	1	1	1
Capacity condenser	$\mu$ F	1.5	1.5	1.5	1.5	2	2
Power	watts	45	68	103	125	193	210
Current	A	0.21	0.32	0.48	0.59	0.92	0.99

- (1) This data is obtained in a room of 80m<sup>3</sup> with a reverberation time of 0.6 sec.  
 (2) Measured model: model BRIW with casing and standard heat exchanger. Height: 1 m from the air exhaust grille.

The sound level is influenced by the dimensions of the room, the reverberation time and other sound sources.

Centrifugal fan(s) with motor (230 - 1 - 50 Hz) with continuously directed condenser. Safety with automatical reset. IP 41. Earthing supplied.

## OPTIONS FOR ALL MODELS

ADDITIONAL ELECTRIC ELEMENT							
for model BRIW / BRIF/ BRBW / BRIC / BRBC	Size	02	03	04	06	08	10
Nominal power	watts	1000	1000	2000	2000	2000	2000
Electric connection	V - f - Hz	230-1-50	230-1-50	230-1-50	230-1-50	230-1-50	230-1-50
Code	8721...	.6012	.6012	.6014	.6014	.6015	.6016



Inclusive security thermostat. Do not combine with second heat exchanger B4.  
Allow the air flow during the functioning of the electric element.

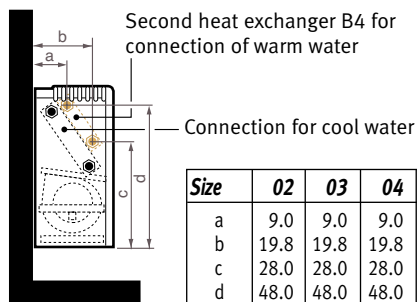
Options are fitted when fan convector and options are ordered together. With built-in options, delivery time will be longer.

SECOND HEAT EXCHANGER B4							
for model BRIW / BRIF/ BRBW / BRIC / BRBC	Size	02	03	04	06	08	10
Heat output B4 at $\Delta T$ 50 75/65°C - 20°C	kW max.	2.07	2.85	3.83	5.63	9.22	10.65
	med.	1.86	2.57	3.45	5.06	7.71	9.58
	min.	1.57	2.17	2.92	4.28	7.01	8.09
Heat output B4 at $\Delta T$ 60 90/70°C - 20°C	kW max.	2.48	3.42	4.60	6.76	11.07	12.78
	med.	2.23	3.08	4.14	6.08	9.26	11.50
	min.	1.88	2.60	3.50	5.14	8.41	9.71
Water content B4	liter	0.21	0.27	0.44	0.65	1.24	1.34
Code	8721...	.5111	.5112	.5113	.5114	.5115	.5116

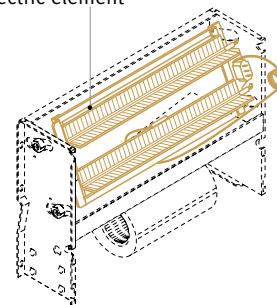


With second heat exchanger, the standard exchanger has to be used for cooling and the second exchanger for heating.

Options are fitted when fan convector and options are ordered together. With built-in options, delivery time will be longer.



Electric element





# Product description > Brise

## THE SUPPORT FRAME

Made of reinforced galvanized steel plate

## THE FAN UNIT

Centrifugal fan(s) engine to condense in 3 speeds continuously and integrated KLIXON security with an automatical reset.

Tension: 220 Volt mono 50 Hz., IP 411

## HEAT EXCHANGER

made of pure copper and aluminium, suitable for left-or right handed connection. Connections for types 02, 03 and 04 use 1/2", for types 06, 08 and 10 use 3/4". Air vent for all types > 1/8".

THE CONDENSATION TRAY is galvanized and insulated.

## THE CASING

(model BRIW-BRIF-BRIC) metal casing with smooth light grey metallic lacquer. Reversible grilles of heat resistant dark grey ABS.

## INSULATION

Extremely well insulated in order to prevent condensation and to muffle the noise.

## VERSIONS

- > heating / or cooling / by means of a standard battery for cool / hot / water.
- > heating and cooling by means of 2 separated circuits for cool - and hot water.
- > heating with second battery and cooling with standard battery.
- > cooling by means of a standard battery and heating by an electrical element with a security thermostat (max. 2 kwatts).

## FILTERS

not / to provide / in recyclable acryl, fitted in a galvanized box (standard for models BRIW-BRIF)

## EACH VENTILO-FAN CONVECTOR

- has a 3-position speed control
- > model BRIW-BRIF: fitted in the casing
- > models BRIC-BRBC-BRBW: to fit at distance against the wall. To fit at distance against the wall with a thermostat for heating and cooling.

## OPTIONS

- > Ventilation by means of an added air mixing box / with front grille in aluminium / for inside - and outside air / manual controllable or modulating / with servo on/off motor 230 Volt / with servo on/off 230 Volt suitable for frost protection / with servo motor 230 Volt with return spring, suitable for frost protection / with modulating servo motor 230 Volt suitable for frost protection / with servo motor on/off 24 Volt with return spring / with modulating servo motor 24 Volt / with modulating servo motor 24 Volt with return spring.
- > Switch boxes for servo motors: out mixing box open or closed / open, medium or closed / modulating from open to closed.
- > Thermostat for frost protection
- > Free-standing models are provided with feet, connection covers and a rear panel, laquered in the same colour as the casing (light grey metallic).
- > For the vertical cooling model, a supplementary Condensation tray and drain pipe has to be provided.
- > Built in models in a void ceiling have to be provided with a corner piece with adjustable aluminium grille for exhausting air and adjustable aluminium air inlet grille. The maximum ceiling height is 2.8 metre.

- > Ventilo-fan convectors mounted to the ceiling, blowing downwards, have to be adapted. The maximum mounting height is 2.3 metre.

