



Strada



design award
winner
2003





Strada

RIGID AND ROBUST

The vertical lines of the aluminium grille and the flat front panel give the Strada the robust character from which it takes its name. The technology behind the shape is just as impressive. Inside, it conceals a super-powered Low-H₂O element, guaranteeing ultra-fast and perfectly regulated heating for any building.

- › The valves and its connections are concealed within the standard casing.
- › With a Low-H₂O heat exchanger of pure copper and aluminium:
 - totally non-corrosive, a 10 year guarantee
 - efficient: rapid heating up due to super low water content
 - high heat output achieved with normal and lower flow temperatures
 - the optimal combination of convection and radiation
 - with dirt-repellent and dust-proof lacquer in graphite grey (RAL 7024)
 - each heat exchanger is pressure tested to 20 bar
- › The surface temperature of the casing stays safe to touch, even at high flow temperatures.
- › The casing can be removed for decorating
- › Standard with extended air vent with transparent synthetic drain tube



COLOURS

Scratch resistant epoxy-polyester finish with a structured satin gloss surface. High UV resistance.

Standard colours without surcharge:

- › white (133) RAL 9016
- › white (101) RAL 9010
- › sandblast grey metallic (001)

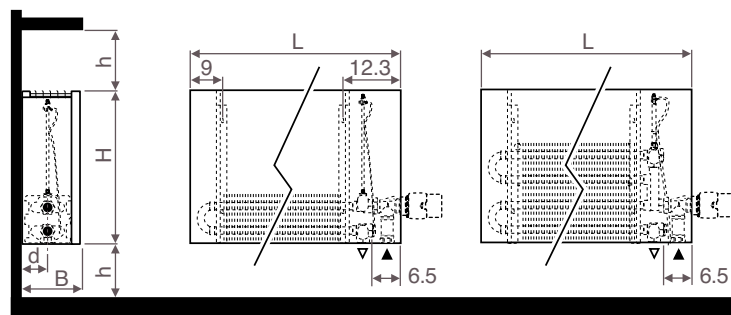
Other colours: see colour chart

HIGH EFFICIENCY BOILER COMBINATION

Thanks to its low water content and high coefficient of heat conduction for low flow temperatures, the Strada, with its modern Low-H₂O element, is ideal to use with combination and high efficiency condensing boilers.

DIMENSIONS

STRW
Strada Wall



DIMENSIONS IN CM

Type	B	d	h min*
06	8.5	4.0	10
10-11	11.8	5.2	10
15-16	16.8	7.7	12
20-21	21.8	10.2	15

*Smaller dimensions can decrease output.

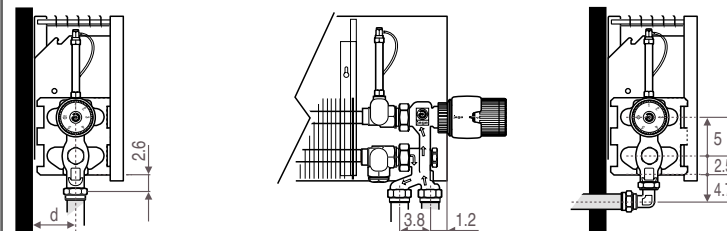
TWIN POWER

Strada is also available with the super-powered Twin heat exchangers. The boiler temperature is on average 15% lower for equivalent radiator dimensions!

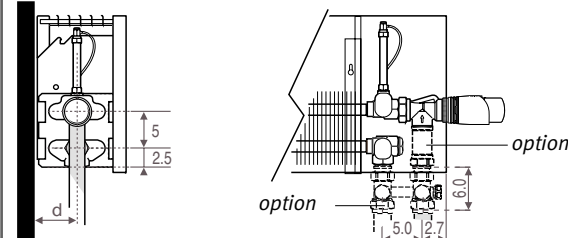
CONNECTIONS

The valves offered by Jaga can be concealed within the standard casing. Other valves may be partially visible.

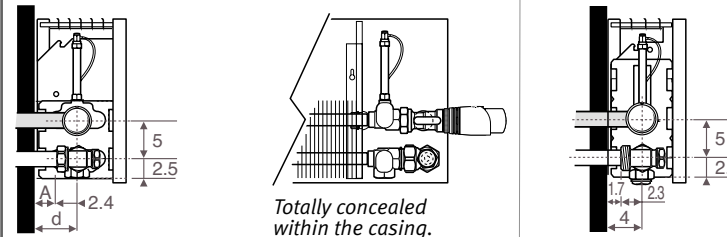
EXAMPLE WITH JAGA-PRO VALVE - TO THE WALL OR TO THE FLOOR



EXAMPLE WITH JAGA VALVE - TO THE FLOOR



EXAMPLE WITH JAGA & JAGA TYPE 6 VALVE - TO THE WALL



The Jaga type 6 valve is only suited for application with Strada type 06.

Detailed info: see Connection sets & Valves

CONNECTION TO THE FLOOR		CONNECTION TO THE WALL	
Type	d	Type	A
06	4.0	06	1.7
10-11	5.2	10-11	2.9
15-16	7.7	15-16	5.3
20-21	10.2	20-21	7.9