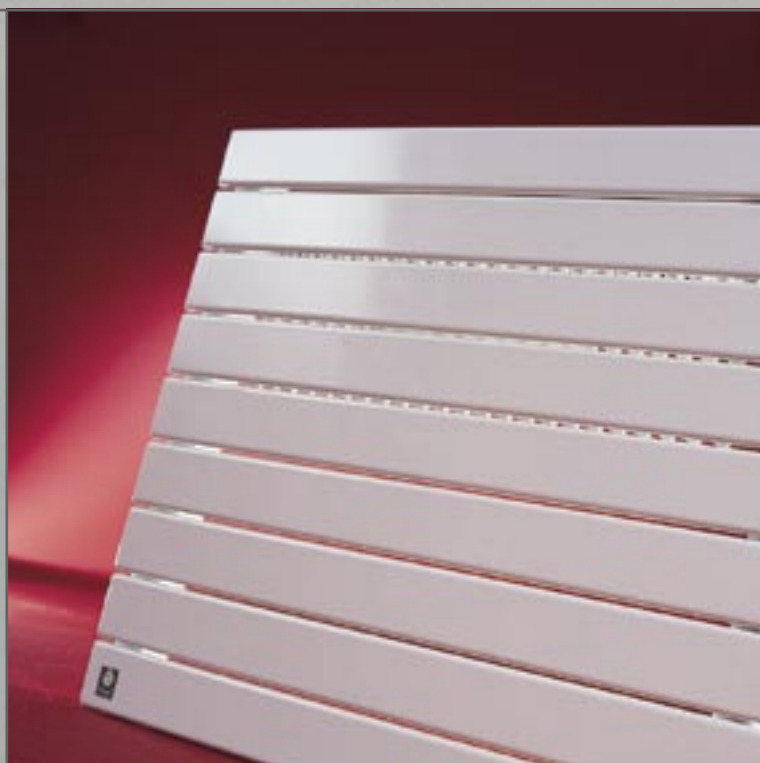




Panel Plus Horizontal





Panel Plus Horizontal

RADIATED HEAT IN ITS MOST DECORATIVE FORM!

The compactness of the Panel-Plus radiators is the answer to the creative ideas of the designer combined with great space saving possibilities at the same time. The Panel-Plus can be fitted as a wall mounted radiator. But Jaga also offers a super compact, solid and free-standing Panel-Plus model as from only 6 cm height! The robust design of the Panel-Plus radiator with its hidden collectors in the rear creates soberness and quality.

COLOURS

Standard colours:

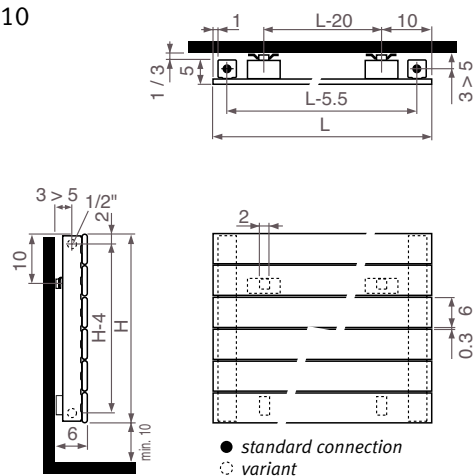
- > white (233) RAL 9016 glossy
- > white (201) RAL 9010 glossy
- > sandblast grey metallic (001)

Other colours: see colour chart

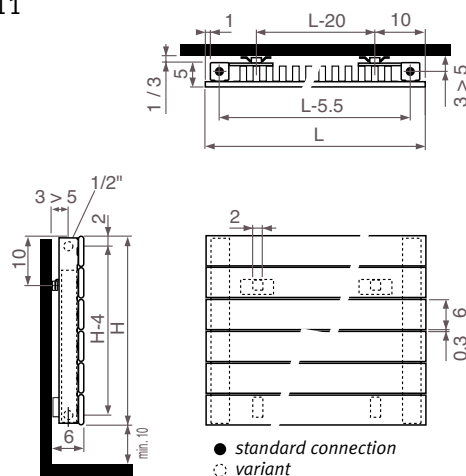
DIMENSIONS

PPHW
Panel Plus Horizontal Wall

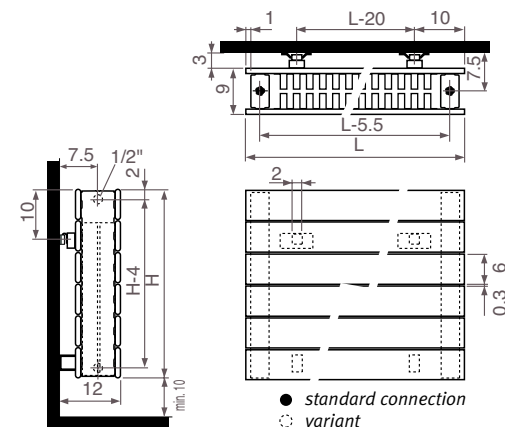
TYPE 10



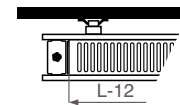
TYPE 11



TYPE 22

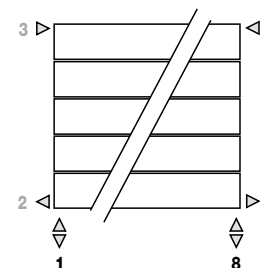


TYPE 22 GR
with grille



CONNECTIONS

Code: 1° number = flow
2° number = return



STANDARD CONNECTION

Code 18
Connection 18 or 81

SIDE END CONNECTION

One-sided:
code 32 of 67 instead of 18
Cross-over:
code 37 of 62 instead of 18

ONE PIPE CONNECTION

Ordering code: specify code 11 (left) or 88 (right) instead of 18. Always use a vertical diffusion tube (ø 10 to 12mm) of min. length of 100mm and a reduction washer.

Non standard connections without surcharge



Product descriptions > Panel Plus

PANEL PLUS

MATERIAL

Composed of steel single or double vertical collectors at rear with steel horizontal radiation tubes. The radiation tubes are welded at the inside of the collector by gas and with steel as sole addition.

Therefore no welding seams are visible at the outside of the radiator.

- > pressure test 9 bar
- > working pressure 6 bar

COMPOSITION

PANEL PLUS VERTICAL

The oval radiation tubes (60 x10.4 x 1.5 mm) are vertical and parallel lengthways placed on the horizontal collector (37 x 35 x 2 mm) with an interdistance of 3 mm. The radiation tubes are provided with convection fins.

All fixings points are welded to the radiator. The supports to fit to the wall are supplied with the standard delivery.

Transparency : none.

PANEL PLUS HORIZONTAL

The oval radiation tubes (60 x10.4 x 1.5 mm) are horizontal and parallel lengthways placed on the vertical collector with an interdistance of 3 mm

The radiation tubes **are /are not** provided with convection fins.

The types which start from 24.9 cm high may have convection fins only from 6.8 cm of the top and they cover maximum 9 radiation tubes. For the types until 18.6 cm max height, the convection fins are placed up to 0.5 cm of the top end of the radiator and cover all radiation tubes. The wall mounted and the free-standing models types 22GR and 34GR are supplied with a pre-mounted grille.

Single collector: 37 x 35 x 2 mm

Double collector: 65 x 38 x 2 mm

All fixings points are welded to the radiator. The supports to fit to the wall are supplied with the standard delivery.

Transparency : none.

FINISH

The radiators are sandblasted, degreased, phosphated, electrostatically lacquered with epoxy-polyester powder and finally enamel stoved at 200 °C.

This high quality finish offers an optimal scratch resistance and is very easy to maintain. Thickness of the lacquer: min 80 µ.

COLOUR

The radiator is lacquered in the colour **sand-blast grey metallic 001 / white (RAL 9010) / white (RAL 9016) / other (see colour chart)**

CONNECTIONS

The sockets 1/2" at the bottom or at the side end of the collector are integrated in the collectors and hence invisible.

The connections may be ordered at customer choice at the bottom, the top end or at the side end of radiator. Provided with a chrome-plated air vent 1/2" and drain cock 1/2".

Output in watts, measured in accordance with EN 442.

HOW TO INSTALL

The building services engineer chooses the radiators considering following conditions:

- > A heat output calculation according to the standard.
- > The heat output and the dimensions of the Panel Plus radiators according to EN 442.
- > The radiators may be **wall fitted with the wall fixings supplied / fitted to the floor with supplied feet.**
- > The specially designed **thermostatic connection sets / thermostatic Jaga Deco / Jaga-Pro valves / manual Jaga Deco valves** can be connected to **plastic central heating service pipes / RPE/ALU. tube / copper tube/ steel pipe.**
- > **Jaga thermostatic heads / Jaga Deco thermostatic heads chrome / Jaga Deco thermostatic heads chrome/white / Jaga Comap thermostatic heads silver / not to be / to be fitted.**

OPTIONS

- > Jaga Deco valves.
- > Radiation prevention screen for free-standing skirting model.

