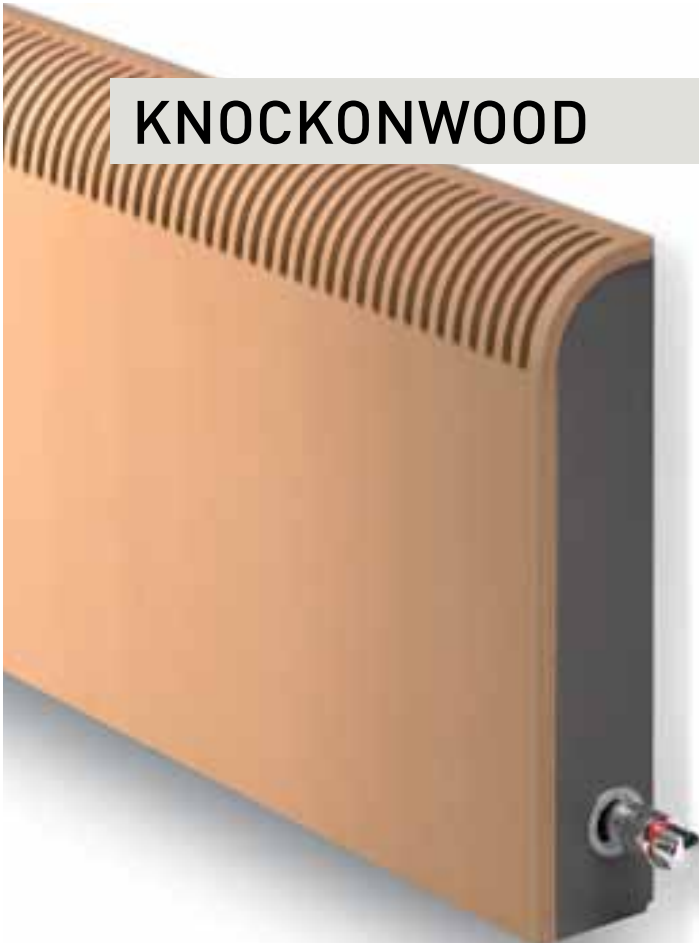


KNOCKONWOOD



STANDARD DELIVERY

- Low-H₂O heat exchanger with wall brackets and fixing kit
- complete casing in one piece with wooden cover
- suitable for connection left or right below, either to the wall or to the floor.
- extended air vent 1/8" and drain cock 1/2"
- **delivery with DBE: DBE system incl. operation, control and power supply 12 VDC. Supplied in separate packaging (add/DBE to ordering code)**

OPTIONS

- connection sets 11, 12, 14, 25, 26: see page 88-89



CATEGORY 1



700 Oak natural



740 Zebrano



720 Beech natural



760 Maple natural

CATEGORY 2



701 Oak bleached



710 Mahogany



780 Walnut



702 Oak wenge-coloured



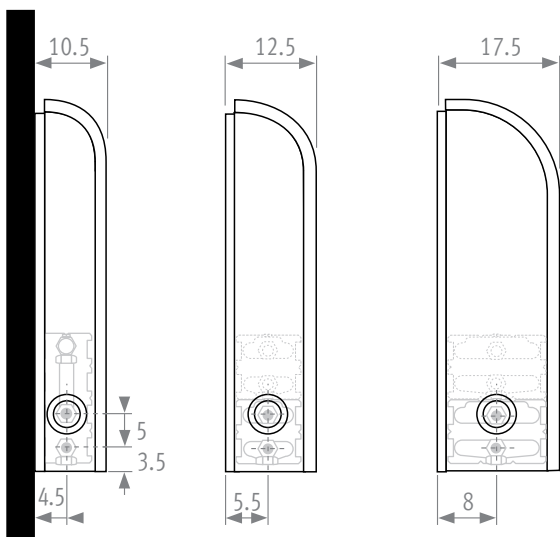
721 Beech bleached

DIMENSIONS (in cm)

TYPE 06

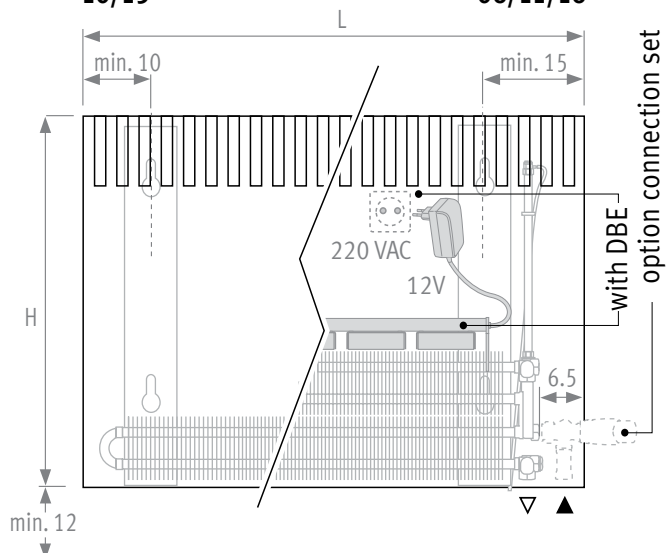
TYPE 10/11

TYPE 15/16



TYPE 10/15

TYPE 06/11/16



MOST WANTED

ORDERING CODE: KNOW. code height length type wood
 030 060 10. XXX
fill in type of wood

| | | STANDARD | | | TWIN | | | WITH DBE | | | | | | | | |
|-----|-----|----------|-------|-------|-------|-------|-------|----------|-------|-------|-------|-------|-------|-------|--|--|
| H | L | Type | watts | watts | watts | Type | watts | watts | watts | Type | watts | watts | watts | watts | | |
| | | 90/70 | 75/65 | 55/45 | 90/70 | 75/65 | 55/45 | 90/70 | 75/65 | 55/45 | 35/30 | | | | | |
| 030 | 060 | --- | --- | --- | --- | 06 | 543 | 416 | 198 | 06 | 661 | 551 | 331 | 138 | | |
| | | 10 | 589 | 452 | 215 | 11 | 679 | 515 | 237 | 11 | 978 | 815 | 489 | 204 | | |
| | | 15 | 896 | 689 | 330 | 16 | 988 | 752 | 350 | 16 | 1478 | 1232 | 739 | 308 | | |
| | 100 | --- | --- | --- | --- | 06 | 904 | 693 | 329 | 06 | 1156 | 963 | 578 | 241 | | |
| | | 10 | 983 | 754 | 359 | 11 | 1132 | 859 | 396 | 11 | 1751 | 1459 | 875 | 365 | | |
| | | 15 | 1495 | 1149 | 550 | 16 | 1646 | 1253 | 584 | 16 | 2656 | 2213 | 1328 | 553 | | |
| | 140 | --- | --- | --- | --- | 06 | 1265 | 970 | 461 | 06 | 1488 | 1240 | 744 | 310 | | |
| | | 10 | 1376 | 1056 | 503 | 11 | 1586 | 1203 | 555 | 11 | 2164 | 1803 | 1082 | 451 | | |
| | | 15 | 2093 | 1609 | 770 | 16 | 2304 | 1754 | 817 | 16 | 3257 | 2714 | 1628 | 679 | | |
| | 220 | --- | --- | --- | --- | 06 | 1989 | 1525 | 724 | 06 | 2478 | 2065 | 1239 | 516 | | |
| | | 10 | 2162 | 1659 | 790 | 11 | 2492 | 1890 | 871 | 11 | 3708 | 3090 | 1854 | 773 | | |
| | | 15 | 3288 | 2528 | 1210 | 16 | 3621 | 2757 | 1285 | 16 | 5612 | 4677 | 2806 | 1169 | | |
| 055 | 060 | --- | --- | --- | --- | 06 | 720 | 554 | 265 | 06 | 827 | 689 | 413 | 172 | | |
| | | 10 | 853 | 660 | 322 | 11 | 942 | 718 | 336 | 11 | 1222 | 1018 | 611 | 255 | | |
| | | 15 | 1289 | 1001 | 492 | 16 | 1392 | 1063 | 499 | 16 | 1852 | 1543 | 926 | 386 | | |
| | 080 | --- | --- | --- | --- | 06 | 961 | 739 | 354 | 06 | 1049 | 874 | 524 | 219 | | |
| | | 10 | 1137 | 880 | 429 | 11 | 1256 | 958 | 448 | 11 | 1510 | 1258 | 755 | 315 | | |
| | | 15 | 1720 | 1335 | 657 | 16 | 1857 | 1418 | 666 | 16 | 2278 | 1898 | 1139 | 475 | | |
| | 100 | --- | --- | --- | --- | 06 | 1201 | 924 | 443 | 06 | 1433 | 1194 | 716 | 299 | | |
| | | 10 | 1422 | 1100 | 536 | 11 | 1570 | 1197 | 560 | 11 | 2156 | 1797 | 1078 | 449 | | |
| | | 15 | 2150 | 1669 | 821 | 16 | 2321 | 1772 | 832 | 16 | 3278 | 2732 | 1639 | 683 | | |
| | 120 | --- | --- | --- | --- | 06 | 1442 | 1109 | 531 | 06 | 1655 | 1379 | 827 | 345 | | |
| | | 10 | 1706 | 1320 | 643 | 11 | 1883 | 1436 | 672 | 11 | 2443 | 2036 | 1222 | 509 | | |
| | | 15 | 2580 | 2003 | 985 | 16 | 2785 | 2126 | 998 | 16 | 3703 | 3086 | 1852 | 772 | | |
| 140 | --- | --- | --- | --- | 06 | 1683 | 1294 | 620 | 06 | 1877 | 1564 | 938 | 391 | | | |
| | 10 | 1990 | 1540 | 751 | 11 | 2198 | 1676 | 784 | 11 | 2731 | 2276 | 1366 | 569 | | | |
| | 15 | 3011 | 2337 | 1150 | 16 | 3249 | 2481 | 1165 | 16 | 4129 | 3441 | 2065 | 860 | | | |
| 180 | --- | --- | --- | --- | 06 | 2162 | 1663 | 797 | 06 | 2644 | 2203 | 1322 | 551 | | | |
| | 10 | 2559 | 1980 | 965 | 11 | 2826 | 2155 | 1008 | 11 | 4026 | 3355 | 2013 | 839 | | | |
| | 15 | 3870 | 3004 | 1478 | 16 | 4178 | 3190 | 1498 | 16 | 6132 | 5110 | 3066 | 1278 | | | |
| 220 | --- | --- | --- | --- | 06 | 2643 | 2033 | 974 | 06 | 3088 | 2573 | 1544 | 643 | | | |
| | 10 | 3128 | 2420 | 1179 | 11 | 3453 | 2633 | 1232 | 11 | 4600 | 3833 | 2300 | 958 | | | |
| | 15 | 4730 | 3672 | 1806 | 16 | 5105 | 3898 | 1830 | 16 | 6982 | 5818 | 3491 | 1455 | | | |
| 080 | 060 | --- | --- | --- | --- | 06 | 836 | 645 | 312 | 06 | 936 | 780 | 468 | 195 | | |
| | | 10 | 997 | 778 | 388 | 11 | 1102 | 845 | 401 | 11 | 1374 | 1145 | 687 | 286 | | |
| | | 15 | 1487 | 1165 | 588 | 16 | 1682 | 1288 | 609 | 16 | 2122 | 1768 | 1061 | 442 | | |
| | 080 | --- | --- | --- | --- | 06 | 1115 | 860 | 416 | 06 | 1194 | 995 | 597 | 249 | | |
| | | 10 | 1329 | 1037 | 517 | 11 | 1470 | 1127 | 535 | 11 | 1712 | 1427 | 856 | 357 | | |
| | | 15 | 1982 | 1553 | 784 | 16 | 2244 | 1718 | 813 | 16 | 2638 | 2198 | 1319 | | | |

Types 11, 16 and 21 provide even greater power and/or higher exhausting temperature
 Other dimensions: see www.theradiatorfactory.com