



Deco Space





Deco Space

RADIATED HEAT IN ITS MOST DECORATIVE FORM!

The stylish Jaga Deco radiators belong to a different class both technically and aesthetically. Its flexibility and range is the answer to the creative ideas of the designer combined with great space saving possibilities. Deco radiators: the convenient heating solution in both renovation or in new build construction. Deco-Space can be used as a room divider but can equally be the ideal solution mounted to the wall. Offers a discrete transparency.

COLOURS

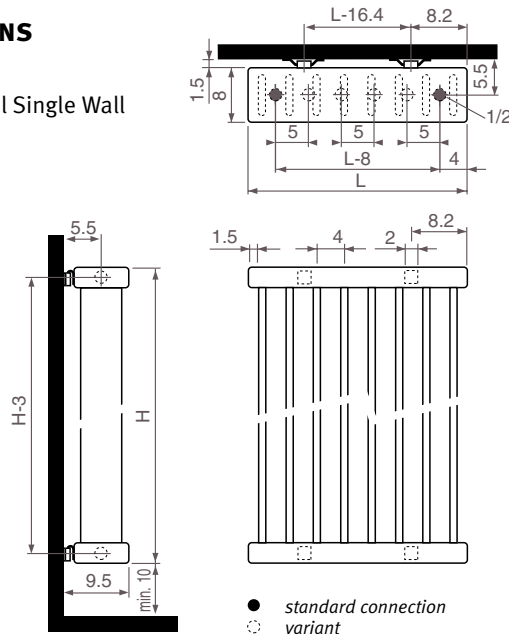
Standard colours:

- > white (233) RAL 9016 glossy
- > white (201) RAL 9010 glossy
- > sandblast grey metallic (001)

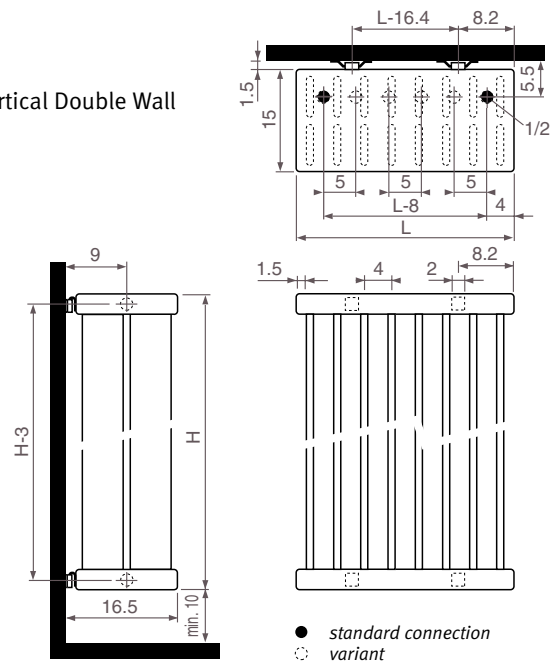
Other colours: see colour chart

DIMENSIONS

SVSW
Space Vertical Single Wall

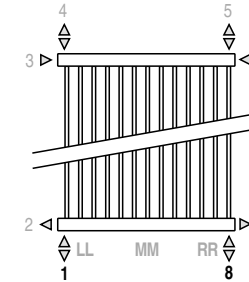


SVDW
Space Vertical Double Wall



CONNECTIONS

Code: 1° number = flow
2° number = return



STANDARD CONNECTION:
Code 18
Connection 18 or 81

CENTRAL CONNECTION:
Ordering code: specify code MM instead of 18. Flow left or right. (LL or RR is also possible)

TOP END CONNECTION:
Ordering code: specify 45 or 54 instead of 18. Provide an air vent on the central heating tube.

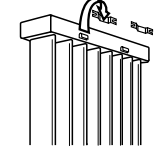
SIDE END CONNECTION:
Ordering code: specify 32, 67, 41 or 58 instead of 18. Code 32 or 67 not suitable for the perpendicular to the wall model. (SVSS/SVDS)

CROSS-OVER CONNECTION
Ordering code: specify 51 or 48 instead of 18.

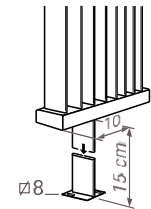
ONE PIPE CONNECTION:
Ordering code: specify code 22 (left) or 77 (right) instead of 18. Always use a horizontal diffusion tube (ø 10 to 12mm) of min. length of 100mm and a reduction washer. Also possible with code MM and connection set 41 or 42.

Non standard connections without surcharge

FIXINGS STANDARD WALL FIXING

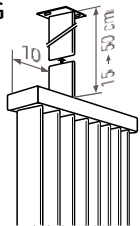


FOOT

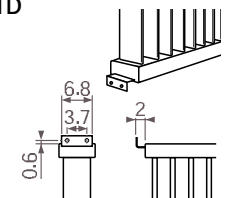


CEILING FIXING

The ceiling fixing is identical to the feet. It has however a length of 50 cm which can be adapted by the contractor on site.



SIDE END FIXING

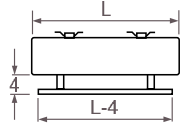


Configurations on size: see parts. Non standard-fixings are welded to the radiator and cannot be changed or reordered afterwards.

OPTIONS

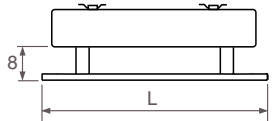
Options are combinable, and can be applied on desired height.

TOWEL RAIL COATED



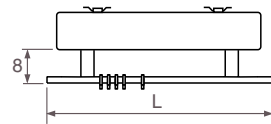
CODE
fill in colour code
9091.LLL...
Length radiator

TOWEL RAIL ALUMINIUM



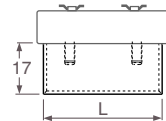
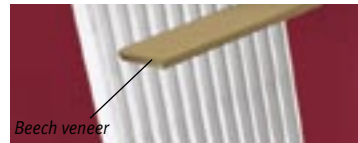
CODE	min. L	radiator	L
9091.013560	52	single	56
9091.023560	52	double	56
9091.013660	64	single	66
9091.023660	64	double	66

HAT-RACK ALUMINIUM



CODE	min. L	radiator	L
9091.012560	52	single	56
9091.022560	52	double	56
9091.012660	64	single	66
9091.022660	64	double	66

TABLET IN BEECH VENEER



CODE	min. L	radiator	L
9091.011400	40	single	40
9091.021400	40	double	40