



Accolade





Accolade

A SOFT WARMTH IN A DISTINCTIVE FORM!

A towel rail radiator that does not only radiate warmth but also creates a distinctive appearance. No longer straight and jagged, but a natural appearance, with gently curved radiation tubes that end in subtle triangular collectors. From these parts, ingeniously welded in a way that leaves no trace, comes the Accolade.

Different sizes, models and colours allow you to combine form and function. Jaga offers you the choice of no less than 39 high quality colours, varying from trendy sandblast metallic grey to the soft tones of pastel: whatever the interior design scheme, there is an Accolade to match.

The Accolade can be used as a main heating element or as a towel rail.

COLOURS

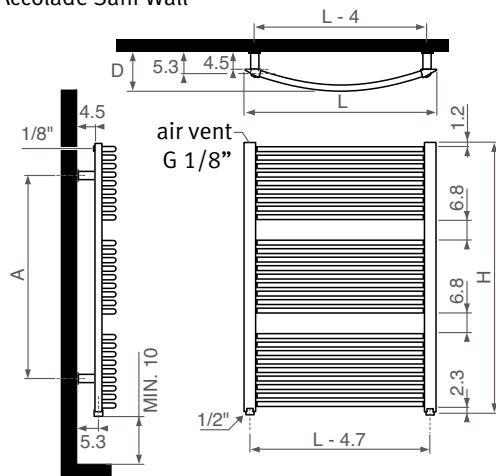
Standard colours without surcharge:

- > white (333) RAL 9016 satin
- > white (301) RAL 9010 satin
- > sandblast grey metallic (001)

Other colours: see colour chart

DIMENSIONS

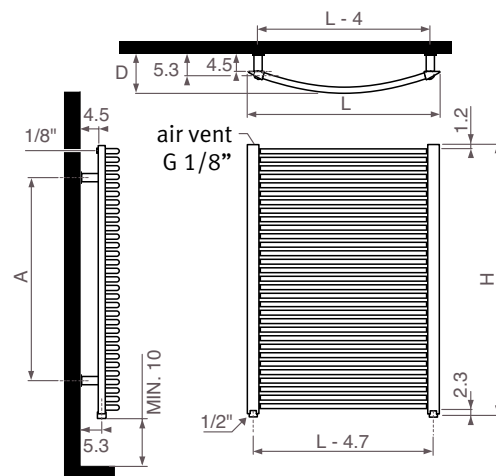
ACSW
Accolade Sani Wall



DIMENSIONS IN CM	
L	D
50	10.3
65	10.6
80	10.7
95	11.0

DIMENSIONS IN CM	
H	A
89.1	67.0
122.7	101.0
153.5	131.5
181.5	137.0
215.1	137.0

ACDW
Accolade Deco Wall

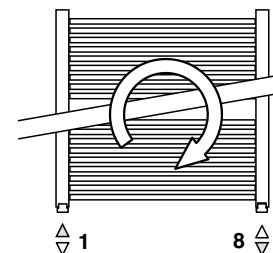


DIMENSIONS IN CM	
L	D
50	10.3
65	10.6
80	10.7
95	11.0

DIMENSIONS IN CM	
H	A
89.1	67.0
122.7	101.0
153.5	131.5
181.5	137.0
215.1	137.0

CONNECTIONS

Code: 1° number = flow
2° number = return



STANDARD CONNECTION:

CODE 18
connection 18 or 81

TOP END CONNECTION:

The Accolade is symmetrical and can be mounted either way up. Insert pipe to be mounted in the return. It is delivered without surcharge if you specify the ordering code with code 45 or 54 instead of 18, provide an air vent on the central heating tube.

ONE PIPE CONNECTION:

Ordering code: specify code 11 or 88 instead of 18.

In case of one pipe connection always use a diffusion tube of min. length of 100 mm (Ø 8 up to 10 mm) with a reduction washer.

WITH ELECTRIC ELEMENT:

Standard code 18, and order an electric element.



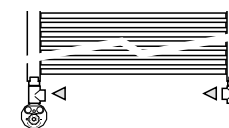
MIXED:

Standard code 18.

Order an electric element and T-pieces.

> Fit the T-piece together with the electric heating element for connection to the central heating wet system.

> Never isolate the radiator from the expansion system, in other words never cut off the return of the radiator.



Non standard connection without surcharge.



Product descriptions > Accolade

ACCOLADE

MATERIAL

The radiators are manufactured from triangular vertical collectors (22 x 40 mm) and horizontal curved steel radiation tubes \varnothing 16 mm, with open spaces to dry towels or linen. The Deco version is identical, without the open spaces. The radiation tubes are invisibly welded at the exterior part of the collector, using a special process. An electric element can be installed. For [central heating wet system / electric only / mixed application \(mixed\)](#).

THE FINISH

The radiators are sandblasted, degreased, phosphated, electrostatically lacquered with epoxy-polyester powder and finally enamel stoved at 200 °C. This high quality finish offers an optimal scratch resistance and is very easy to maintain.

Thickness of the lacquer: min 60 μ

Pressure test: 9 bar

Working pressure: 6 bar

COLOUR

The radiator is lacquered in the colour [sandblast grey metallic 001 / white \(RAL 9010\) / white \(RAL 9016\) / other \(see colour chart\)](#)

CONNECTION

The settled sockets 1/2" at the bottom end of the collectors.

Air vent 1/8" at the back of the collector.

Output in watts, measured in accordance with EN 442.

HOW TO INSTALL

The building services engineer chooses the radiators considering following conditions:

- > A heat output calculation according to the standard.
- > The heat output and the dimensions of the Accolade radiators according to EN 442.
- > The radiators may be wall mounted when using the wall fixings supplied.

> The specially designed [thermostatic connection sets / thermostatic Jaga Deco / Jaga-Pro valves / manual Jaga Deco valves](#) can be connected to [plastic central heating service pipes / RPE/ALU. tube / copper tube/ steel pipe](#).

> [Jaga thermostatic heads / Jaga Deco thermostatic heads chrome / Jaga Deco thermostatic heads chrome/white / Jaga Comap thermostatic heads silver / not to be / to be fitted](#).

OPTIONS

- > Jaga Deco valves.
- > Electric heating element.
- > Electric heating element with infrared operation.
- > T-piece for connection at the side end or at the back and for mixed application.
- > Insert pipe for top end connection.

