



VERTIGA

The new benchmark for design at super-low water temperatures

The ultimate expression of form and function. Vertiga combines the power of Jaga Top Performers, the efficiency of Jaga Energy Savers, and the design of Jaga Eyecatchers.

TOP PERFORMERS

Vertiga is a completely new type of low water temperature radiator for heat pumps and modulating condensing boilers. Two dynamic heat exchangers with horizontal air flow achieve ultra-high power even at super-low water temperatures.

Energy SAVERS LOW-H₂O

Due to its low thermal mass and the ultra-conductive materials, Jaga's Low-H₂O technology is much easier to regulate and is proven to be much more energy efficient.

Eyecatchers

Primo, Kirei, Dunes, Glow: no other radiator gives you as much choice in materials and in design.

VERTIGA KIREI



*Eye
catchers*

From design to art

VERTIGA



THE TOP PERFORMER FACTOR

Brand new Dynamic vertical radiator system for high output even at low water temperatures

VERTIGA PRIMO

Casing Primo model,
In painted steel

Easy to install fully pre-assembled cassette

Whisper-quiet boosters

Sound insulation for a whisper-quiet operation

2 Corrosion-free Low-H₂O heat exchangers in copper/aluminium

Pre-perforated openings for electrical cabling

12V power supply and automatic control

Whisper-quiet boosters

Pencil-proof air intake at the top and bottom

Traditional MM connection (central bottom end)

Hidden vertical design grilles distribute the warm air all around the room

UNIQUE DESIGN PERFORMANCE

Perfect warm-up of the room through horizontal heat distribution across the complete height of the radiator

9x faster warm-up

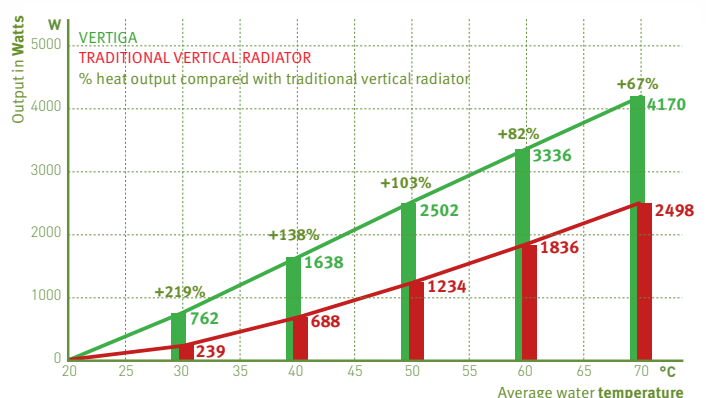
Very high power even at super-low water temperatures

10 to 30% energy savings compared with under floor heating or heavy steel radiators

Fully automatic operation driven by water temperature sensors

OUTPUT BASED ON WATER TEMPERATURE

Comparing Vertiga and a traditional vertical radiator of the same size
Sound pressure Vertiga max. 28 db(A) (in medium mode).



THE EYECATCHER FACTOR

VERTIGA DUNES



The shadow effect of swirling sand in desert dunes was the inspiration for these artistically milled panels. A 'mirage' of lines that give extra depth to your interior. Air flows and mirages that continue to enchant your space.



VERTIGA KIREI



Kirei: the Japanese character for 'pure' and 'beautiful'. A suitable name for a panel consisting entirely of natural materials. Kirei is also the inedible part of soya. The material that used to be thrown away after the soya harvest now has new lease of life in this radiator. The result an organic radiator with natural shading that brings warmth, character and life to every wall.



VERTIGA GLOW



The monolithic glow of black or high-gloss white. The Vertigo Glow reflects the space in its super high gloss finish. This brand new material has the depth of piano lacquer. An icon of simplicity and style.



VERTIGA PRIMO

Basic version with lacquered metal casing. Standard in white (133) or sandblast grey (001). Simple and elegant.

Other colours: see Jaga colour chart.

Only available in soft touch (code 1..), smooth satin (code 3..) and special colours.

Not available in smooth glossy (code 2..).

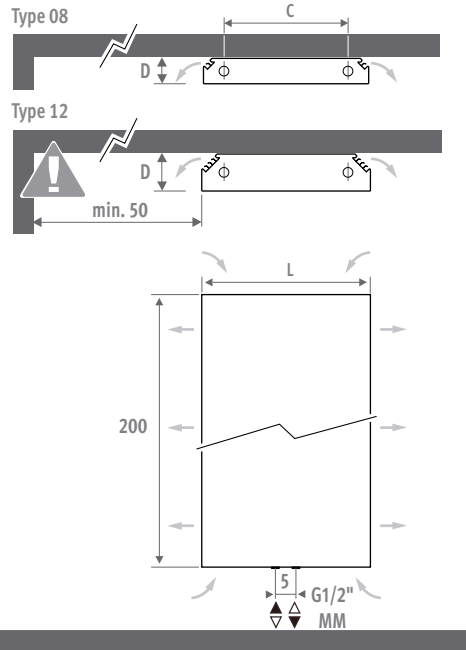
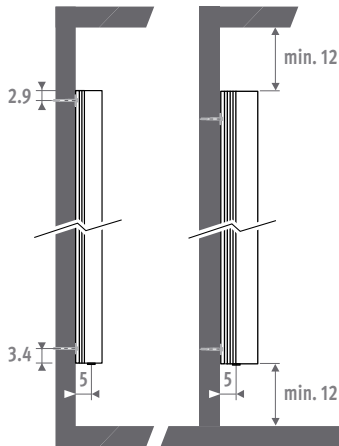


<< PRIMO side view on the rear vertical design grille.

VERTIGA

DIMENSIONS (in cm)

Primo	D = 9.2			D = 13.2		
Glow	D = 11.5			D = 15.8		
Dunes	D = 11.5			D = 15.8		
Kirei	D = 11.5			D = 15.8		
L	41	52	65	53	70	90
C	20.6	31.6	44.6	27.8	44.8	64.8



ORDERING CODE

code height length type colour conn.
VERW. 200 041 08 /XXX /MM

Primo **PRI**/XXX
 Glow **GLO**/XXX
 Kirei **KIR**
 Dunes **DUN**/XXX

DELIVERY

- front panel can be clicked in easily
- fully pre-assembled wall cassette with vertical grilles for air outlet at the left and right side
- pencil-proof grille for air inlet at the bottom and top end
- pre-perforated openings for electrical connection
- central connection MM (MM Bottom or Top)
- mounted 3-speed control

COLOURS

Primo

Environmentally friendly, scratch-resistant, high UV resistant powder coating.

Standard colours:

- traffic white RAL 9016 (133), soft touch lightly structured satin lacquer
- sandblast grey (001), fine texture metallic

Other colours: see colour chart.

Only available in soft touch (code 1..), smooth satin (code 3..) and special colours.

Not available in smooth glossy (code 2..).

Glow

Casing in super high-gloss HPL plate with piano lacquer effect.

Materials for 1st maintenance included.

Colours:

- white: code WHI
- black: code BLA

Kirei

Casing from "Kirei", protected with a water-based parquet varnish extra matt, natural effect (gloss level <10%).

Wall cassette in sandblast grey metallic (001).

Dunes

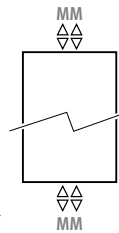
Casing in milled MDF with matt lacquer in fine sand structure.

Colour white: code N01

HYDRAULIC CONNECTION

Standard connection:
 central connection MM below or on top, flow left or right.

Top connection:
 the radiator is symmetrical and can be mounted either way up. Provide an air vent on the central heating pipework above the radiator.



CONNECTION SETS

Connection set to the wall with a Deco-Pro valve

TRV head and sleeve couplings included.



set 48 BRUSHED STAINLESS STEEL €

CODE.PW3.PS.1... **222,30**

set 41 CHROME €

CODE.PW3.AW.1... **142,70**

CODE.PW3.AC.1... **156,30**

enter sleeve coupling code

Precision metal tube 15/1 **115**

Precision metal tube 16/1 **116**

Precision metal tube 18/1 **118**

RPE/ALU tube 16/2 **316**

RPE/ALU tube 18/2 **318**

Other connection sets and sleeve couplings

See chapter "Connection sets and valves" for all connection options and technical information

ELECTRIC CONNECTION

Equipped with pre-perforated openings and 230 VAC clamp connector.

3-SPEED CONTROL

User friendly operation with three power positions and LED indication, mounted on the side of the Vertiga



H 200 · VERTIGA

VERW.200 041 08/XXX/MM



										VERSION						
			Watts 75/65/20°C			Watts 55/45/20°C			Watts 35/30/20°C			Primo €	Primo €	Glow €	Dunes €	Kirei €
Type	max.	med.	min.	max.	med.	min.	max.	med.	min.	st. colour	other					
L																
041	08	1620	1449	1315	963	861	781	400	357	324	1006,70	1182,40	1208,10	1409,50	1409,50	
052	08	2289	1633	1428	1361	971	849	565	403	352	1093,90	1269,60	1312,60	1531,30	1531,30	
065	08	3042	1872	1641	1808	1113	975	750	462	405	1184,00	1359,70	1420,80	1657,50	1657,50	
053	12	2925	2374	2054	1738	1411	1221	721	585	507	1220,90	1396,60	1465,00	1709,20	1709,20	
070	12	4362	3808	2941	2593	2263	1748	1076	939	725	1332,20	1508,00	1598,70	1865,10	1865,10	
090	12	5605	4758	3461	3332	2828	2057	1382	1173	854	1453,10	1628,90	1743,80	2034,50	2034,50	

Output at 20°C room temperature

Correction factors: see p. 376

Pressure drop: see p. 385

TECHNICAL DATA FOR ALL MODELS

				SOUND PRESSURE		
				dB(A)		
				max.	med.	min.
L						
041				32.6	28.0	25.0
052				37.2	28.0	25.0
065				39.3	28.0	25.0
053				27.9	26.3	25.0
070				29.8	28.0	25.0
090				32.3	28.0	25.0