



*Energy*  
**SAVERS**  
**LOW-H<sub>2</sub>O**

# INSTALLATION IN A WALL RECESS

The comfort solution for minimalist architecture.

- The perfect built-in solution without sacrificing heating capacity.
- Space-saving.
- Low-H<sub>2</sub>O technology with super conductive and ultra fast heat exchanger for low energy consumption and maximum heat emission.
- Twin Power for better compensation of the downward cold air flow next to glazed façades or ventilation grilles.
- DBE model for super-low water temperatures from 28°C.
- Safe surface temperature.
- **A 30 year guarantee** on the heat exchanger.

DBE option for high output from compact sizes at super-low temperatures from 28°C. ▶

EXAMPLE BUILT-IN WALL (front cover not included)



LOW-H<sub>2</sub>O  
SELECTED AS  
THE MOST  
ECONOMICAL  
RADIATOR

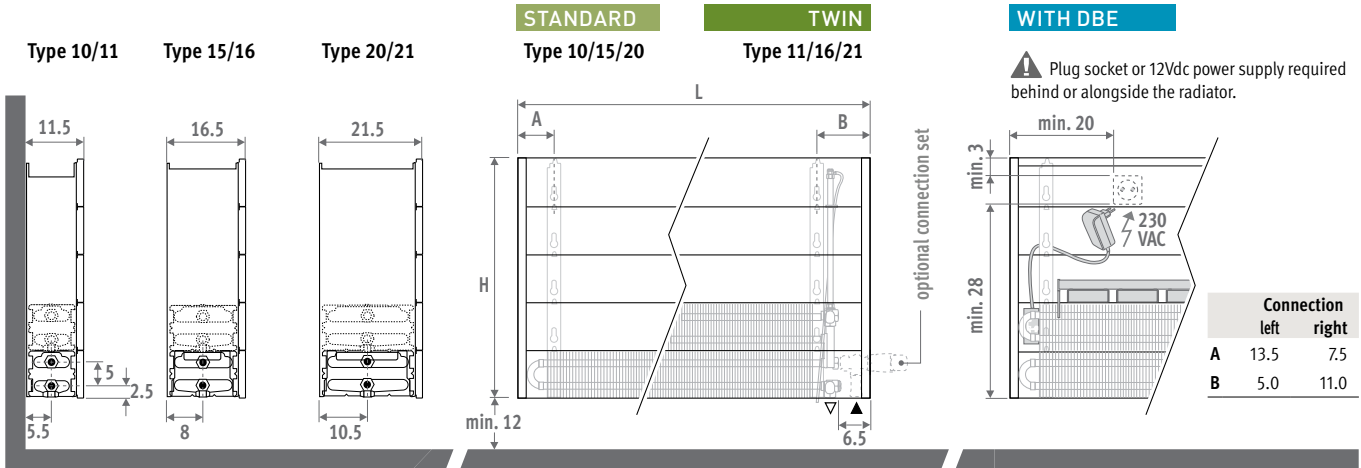
INSTALLATION IN A WALL RECESS



# INSTALLATION IN A WALL RECESS



## DIMENSIONS (in cm)



## DELIVERY

Light and easily installed by one person. Delivered flat packed in 2 packages for ease of handling and storage.

Standard delivery:

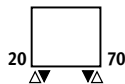
- Low-H<sub>2</sub>O heat exchanger with wall brackets and fixing kit
- air vent elbow (standard) or extended air vent (twin) 1/8" and drain plug 1/2"
- separation wall dark grey lacquered (not suitable as finished casing)

Delivery with DBE:

- number of DBE unit(s) varies according to the length
- operation, control and power supply 12VDC
- mounting instructions
- packed with the radiator

## CONNECTION

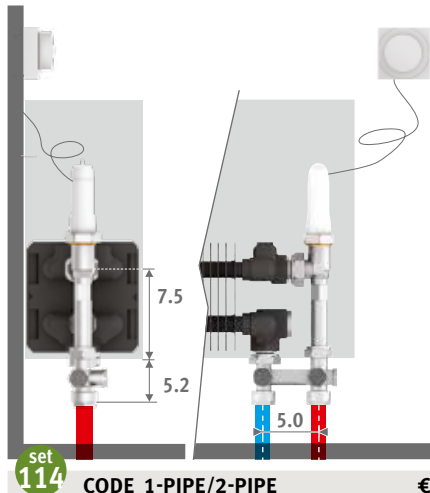
**Standard connection**  
bottom end left or right



## CONNECTION SETS

**To the floor, with remote controlled thermostatic head**

TRV head and sleeve couplings Eurocone 3/4" included.



COLO.VBSF.RD.4...    **138,10**

fill in sleeve coupling code

- Precision metal tube 14/1    **114**
- Precision metal tube 15/1    **115**
- Precision metal tube 16/1    **116**
- RPE/ALU tube 16/2    **616**

### Other connections:

See chapter "Connection sets and valves" for all connection options and technical information

## ORDERING CODE

code    height    length    type  
**BIWW . 020 040 10**

## ORDERING CODE WITH DBE

code    height    length    type    Option  
**BIWW . 030 060 11 /DBE**

DBE should be selected according to the power in comfort mode, as stated in the price and output table. The transition between standby (inactive) and comfort is managed automatically depending on the measured temperature and settings. For output in boost mode: see www.jaga.be



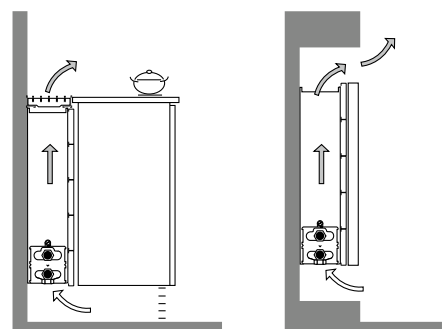
## GUIDELINES FOR INSTALLATION

Cupboards should be built in a way that permits access to the heat exchanger for regular maintenance.

In order to prevent dirt from falling into the heat exchanger, fit the grille a little higher than the cupboard edge.

The outputs indicated are based on a free air flow of 75% of the depth. If the free opening is smaller, a correction factor must be applied to calculate the heat output.

% Air flow	Correction factor
75	1.00
60	0.96
50	0.92
40	0.84
30	0.66



# H020 - INSTALLATION IN A WALL RECESS



L	BIWW.020 LLL TT				BIWW.020 LLL TT/DBE								
	STANDARD			€	TWIN			€	WITH DBE <small>in comfort mode</small>			€	
	Type	Watts 75/65	Watts 55/45		Type	Watts 75/65	Watts 55/45		Type	Watts 75/65	Watts 55/45		Watts 35/30
040	10	262	127	82,50	---	---	---	---	---	---	---	---	
	15	436	212	100,10	---	---	---	---	---	---	---	---	
	20	613	299	118,20	---	---	---	---	---	---	---	---	
050	10	328	159	90,20	---	---	---	---	---	---	---	---	
	15	545	265	111,20	---	---	---	---	---	---	---	---	
	20	766	373	132,40	---	---	---	---	---	---	---	---	
060	10	393	191	98,60	---	---	---	---	10	543	326	136	311,10
	15	654	319	122,60	---	---	---	---	15	904	542	226	344,90
	20	919	448	147,20	---	---	---	---	20	1169	701	292	369,70
070	10	459	223	115,50	---	---	---	---	10	609	365	152	328,00
	15	763	372	144,80	---	---	---	---	15	1013	608	253	367,20
	20	1072	522	176,00	---	---	---	---	20	1322	793	331	398,40
080	10	524	255	123,80	---	---	---	---	10	674	404	169	336,30
	15	872	425	157,00	---	---	---	---	15	1122	673	281	379,30
	20	1226	597	191,50	---	---	---	---	20	1476	886	369	414,00
090	10	590	287	132,10	---	---	---	---	10	890	534	223	419,00
	15	981	478	169,00	---	---	---	---	15	1481	889	370	475,90
	20	1379	672	206,80	---	---	---	---	20	1879	1127	470	513,60
100	10	655	318	147,20	---	---	---	---	10	955	573	239	434,00
	15	1090	531	188,50	---	---	---	---	15	1590	954	398	495,20
	20	1532	746	232,90	---	---	---	---	20	2032	1219	508	539,40
110	10	721	350	156,30	---	---	---	---	10	1021	613	255	443,30
	15	1199	584	202,30	---	---	---	---	15	1699	1019	425	509,10
	20	1685	821	249,40	---	---	---	---	20	2185	1311	546	556,20
120	10	786	382	164,70	---	---	---	---	10	1086	652	272	451,60
	15	1308	637	213,70	---	---	---	---	15	1808	1085	452	520,40
	20	1838	895	264,80	---	---	---	---	20	2338	1403	585	571,40
140	10	917	446	186,00	---	---	---	---	10	1217	730	304	472,70
	15	1526	743	242,70	---	---	---	---	15	2026	1216	507	549,20
	20	2145	1045	322,80	---	---	---	---	20	2645	1587	661	629,30
160	10	1048	509	219,40	---	---	---	---	10	1648	989	412	655,20
	15	1744	850	289,70	---	---	---	---	15	2744	1646	686	765,00
	20	2451	1194	385,00	---	---	---	---	20	3451	2071	863	860,30
180	10	1179	573	238,70	---	---	---	---	10	1779	1067	445	674,50
	15	1962	956	317,00	---	---	---	---	15	2962	1777	741	792,40
	20	2758	1343	420,10	---	---	---	---	20	3758	2255	940	895,60
200	10	1310	637	259,30	---	---	---	---	10	1910	1146	478	695,00
	15	2180	1062	367,10	---	---	---	---	15	3180	1908	795	842,40
	20	3064	1493	456,70	---	---	---	---	20	4064	2438	1016	932,20
220	10	1441	700	298,10	---	---	---	---	10	2041	1225	510	733,80
	15	2398	1168	423,30	---	---	---	---	15	3398	2039	850	898,70
	20	3370	1642	529,20	---	---	---	---	20	4370	2622	1093	1004,50
240	10	1572	764	320,90	---	---	---	---	10	2472	1483	618	905,80
	15	2616	1274	455,10	---	---	---	---	15	4116	2470	1029	1099,40
	20	3677	1791	570,60	---	---	---	---	20	5177	3106	1294	1215,00
260	10	1703	827	342,30	---	---	---	---	10	2603	1562	651	926,80
	15	2834	1381	485,00	---	---	---	---	15	4334	2600	1084	1129,00
	20	3983	1940	608,90	---	---	---	---	20	5483	3290	1371	1252,90
280	10	1834	891	364,10	---	---	---	---	10	2734	1640	684	948,90
	15	3052	1487	515,30	---	---	---	---	15	4552	2731	1138	1159,60
	20	4290	2090	648,30	---	---	---	---	20	5790	3474	1448	1292,40
300	10	1965	955	384,20	---	---	---	---	10	2865	1719	716	972,90
	15	3270	1593	543,50	---	---	---	---	15	4770	2862	1193	1193,20
	20	4596	2239	685,50	---	---	---	---	20	6096	3658	1524	1335,80

Installation in a wall recess is also available in heights 70 and 90 cm, see: [www.jaga.be](http://www.jaga.be)

EN442 output at 20°C room temperature

# INSTALLATION IN A WALL RECESS ■ H030

## BIWW.030 LLL TT

L	STANDARD				TWIN			
	Type	Watts 75/65	Watts 55/45	€	Type	Watts 75/65	Watts 55/45	€
040	10	330	161	88,20	11	448	215	171,60
	15	544	267	105,90	16	592	281	202,10
	20	762	373	123,80	21	779	368	211,60
050	10	413	202	96,10	11	561	269	185,50
	15	680	333	117,40	16	740	352	222,20
	20	953	467	138,40	21	974	460	234,10
060	10	496	242	105,60	11	673	323	199,30
	15	815	399	129,70	16	888	422	241,20
	20	1144	561	154,20	21	1169	552	257,30
070	10	578	282	123,40	11	785	376	229,30
	15	951	466	153,00	16	1036	492	281,60
	20	1334	654	184,00	21	1364	644	303,60
080	10	661	323	132,30	11	897	430	244,40
	15	1087	533	165,50	16	1184	563	302,80
	20	1525	747	199,90	21	1558	736	328,10
090	10	743	363	141,70	11	1009	484	258,30
	15	1223	599	178,80	16	1332	633	324,60
	20	1715	841	216,30	21	1753	828	352,40
100	10	826	403	157,60	11	1121	537	284,60
	15	1359	666	199,20	16	1480	703	359,00
	20	1906	934	243,20	21	1948	920	393,70
110	10	909	444	167,90	11	1233	591	300,60
	15	1495	733	213,90	16	1628	774	381,50
	20	2097	1028	261,00	21	2143	1012	420,30
120	10	991	484	176,90	11	1345	645	315,50
	15	1631	799	225,80	16	1776	844	402,80
	20	2287	1121	276,90	21	2338	1105	444,90
140	10	1156	565	201,30	11	1569	752	353,30
	15	1903	933	258,00	16	2072	985	454,00
	20	2668	1308	337,90	21	2727	1288	537,80
160	10	1322	646	236,00	11	1794	860	412,40
	15	2174	1066	306,40	16	2368	1126	537,60
	20	3050	1495	401,60	21	3117	1473	636,50
180	10	1487	726	257,20	11	2018	967	446,00
	15	2446	1199	335,60	16	2664	1266	585,50
	20	3431	1682	438,60	21	3506	1656	692,80
200	10	1652	807	280,30	11	2242	1074	481,50
	15	2718	1332	388,10	16	2960	1407	674,10
	20	3812	1868	477,60	21	3896	1841	750,80
220	10	1817	887	320,60	11	2466	1182	550,20
	15	2990	1465	446,00	16	3256	1548	774,50
	20	4193	2055	551,70	21	4286	2025	866,10
240	10	1982	968	346,00	11	2690	1289	591,40
	15	3262	1599	480,40	16	3552	1688	831,30
	20	4574	2242	595,60	21	4675	2209	933,20
260	10	2148	1049	368,80	11	2915	1397	628,70
	15	3533	1732	511,80	16	3848	1829	884,20
	20	4956	2429	635,60	21	5065	2393	994,00
280	10	2313	1130	393,20	11	3139	1504	666,40
	15	3805	1865	544,60	16	4144	1970	937,20
	20	5337	2616	677,30	21	5454	2577	1056,40
300	10	2478	1210	414,80	11	3363	1612	701,70
	15	4077	1998	574,30	16	4440	2110	986,90
	20	5718	2802	716,00	21	5844	2761	1115,50

## BIWW.030 LLL TT/DBE

Type	WITH DBE in comfort mode			
	Watts 75/65	Watts 55/45	Watts 35/30	€
---	---	---	---	---
---	---	---	---	---
---	---	---	---	---
---	---	---	---	---
---	---	---	---	---
11	973	584	243	412,50
16	1368	821	342	464,30
21	1649	989	412	480,60
11	1085	651	271	442,40
16	1516	910	379	504,70
21	1844	1106	461	526,80
11	1197	718	299	457,60
16	1664	998	416	525,90
21	2038	1223	510	551,40
11	1609	965	402	546,00
16	2292	1375	573	632,00
21	2713	1628	678	659,80
11	1721	1033	430	572,10
16	2440	1464	610	666,20
21	2908	1745	727	701,10
11	1833	1100	458	588,20
16	2588	1553	647	689,00
21	3103	1862	776	728,10
11	1945	1167	486	603,10
16	2736	1642	684	710,20
21	3298	1979	825	752,20
11	2169	1301	542	640,60
16	3032	1819	758	761,10
21	3687	2212	922	845,00
11	2994	1796	749	848,70
16	4288	2573	1072	1013,20
21	5037	3022	1259	1112,60
11	3218	1931	805	882,60
16	4584	2750	1146	1061,40
21	5426	3256	1357	1169,20
11	3442	2065	861	917,90
16	4880	2928	1220	1150,10
21	5816	3490	1454	1227,00
11	3666	2200	917	986,60
16	5176	3106	1294	1250,30
21	6206	3724	1552	1342,40
11	4490	2694	1123	1177,00
16	6432	3859	1608	1476,10
21	7555	4533	1889	1578,30
11	4715	2829	1179	1213,80
16	6728	4037	1682	1528,50
21	7945	4767	1986	1638,50
11	4939	2963	1235	1251,80
16	7024	4214	1756	1581,90
21	8334	5000	2084	1701,40
11	5163	3098	1291	1296,30
16	7320	4392	1830	1641,40
21	8724	5234	2181	1771,60

EN442 output at  
20°C room temperature

Installation in a wall recess is also available in  
heights 70 and 90 cm, see: [www.jaga.be](http://www.jaga.be)

# H040 - INSTALLATION IN A WALL RECESS



BIWW.040 LLL TT

BIWW.040 LLL TT/DBE

L	STANDARD				TWIN				WITH DBE in comfort mode				
	Type	Watts 75/65	Watts 55/45	€	Type	Watts 75/65	Watts 55/45	€	Type	Watts 75/65	Watts 55/45	Watts 35/30	€
040	10	385	189	93,80	11	506	243	177,60	---	---	---	---	---
	15	627	309	113,40	16	680	323	210,60	---	---	---	---	---
	20	878	433	131,30	21	910	428	219,80	---	---	---	---	---
050	10	482	236	102,20	11	632	303	192,00	---	---	---	---	---
	15	784	386	125,40	16	850	403	230,90	---	---	---	---	---
	20	1098	541	146,30	21	1137	535	242,70	---	---	---	---	---
060	10	578	284	112,70	11	758	363	206,80	11	1058	635	265	420,70
	15	941	464	138,60	16	1020	484	251,10	16	1500	900	375	474,90
	20	1318	650	163,20	21	1364	641	266,90	21	1844	1106	461	490,80
070	10	674	331	131,60	11	885	424	237,70	11	1185	711	296	451,40
	15	1098	541	162,90	16	1190	564	292,50	16	1670	1002	418	516,20
	20	1537	758	193,80	21	1592	749	314,20	21	2072	1243	518	538,00
080	10	770	378	140,90	11	1011	485	253,30	11	1311	787	328	467,20
	15	1254	618	176,00	16	1360	645	314,00	16	1840	1104	460	538,00
	20	1757	866	210,30	21	1819	855	339,20	21	2299	1379	575	563,00
090	10	867	425	151,40	11	1138	546	268,30	11	1738	1043	435	556,60
	15	1411	695	190,20	16	1530	726	336,90	16	2490	1494	623	645,10
	20	1976	974	227,70	21	2047	963	364,30	21	3007	1804	752	672,50
100	10	963	472	168,30	11	1264	606	295,50	11	1864	1118	466	583,60
	15	1568	773	211,70	16	1700	806	372,30	16	2660	1596	665	680,20
	20	2196	1083	255,60	21	2274	1069	406,70	21	3234	1940	809	714,70
110	10	1059	520	179,50	11	1390	666	312,60	11	1990	1194	498	600,90
	15	1725	850	227,50	16	1870	887	395,90	16	2830	1698	708	704,10
	20	2416	1191	274,40	21	2501	1176	434,60	21	3461	2077	865	742,80
120	10	1156	567	188,90	11	1517	727	328,00	11	2117	1270	529	616,10
	15	1882	928	240,00	16	2040	968	417,70	16	3000	1800	750	725,70
	20	2635	1299	290,80	21	2729	1283	459,40	21	3689	2213	922	767,40
140	10	1348	661	216,50	11	1770	849	368,80	11	2370	1422	593	656,60
	15	2195	1082	276,20	16	2380	1129	473,10	16	3340	2004	835	780,80
	20	3074	1516	356,10	21	3184	1497	556,40	21	4144	2486	1036	864,20
160	10	1541	756	252,80	11	2022	969	429,40	11	3222	1933	806	866,20
	15	2509	1237	326,10	16	2720	1290	558,00	16	4640	2784	1160	1034,40
	20	3514	1733	421,00	21	3638	1711	656,70	21	5558	3335	1390	1133,20
180	10	1733	850	275,80	11	2275	1091	464,90	11	3475	2085	869	902,10
	15	2822	1391	357,00	16	3060	1452	607,80	16	4980	2988	1245	1084,60
	20	3953	1949	460,00	21	4093	1925	714,90	21	6013	3608	1503	1191,70
200	10	1926	945	301,40	11	2528	1212	502,70	11	3728	2237	932	939,90
	15	3136	1546	412,10	16	3400	1613	699,00	16	5320	3192	1330	1175,70
	20	4392	2166	501,50	21	4548	2139	775,20	21	6468	3881	1617	1252,10
220	10	2119	1040	343,40	11	2781	1333	573,20	11	3981	2389	995	1010,10
	15	3450	1700	471,60	16	3740	1774	800,90	16	5660	3396	1415	1277,50
	20	4831	2382	577,10	21	5003	2353	892,40	21	6923	4154	1731	1369,00
240	10	2311	1134	371,20	11	3034	1455	616,90	11	4834	2900	1209	1202,90
	15	3763	1855	509,40	16	4080	1935	861,40	16	6960	4176	1740	1507,00
	20	5270	2599	624,60	21	5458	2567	962,80	21	8338	5003	2085	1608,30
260	10	2504	1229	395,60	11	3286	1576	655,60	11	5086	3052	1272	1241,20
	15	4077	2009	542,50	16	4420	2097	915,80	16	7300	4380	1825	1560,90
	20	5710	2816	666,00	21	5912	2780	1025,10	21	8792	5275	2198	1670,00
280	10	2696	1323	422,30	11	3539	1697	695,80	11	5339	3203	1335	1281,60
	15	4390	2164	577,50	16	4760	2258	971,30	16	7640	4584	1910	1616,70
	20	6149	3032	710,20	21	6367	2994	1090,00	21	9247	5548	2312	1735,30
300	10	2889	1417	445,40	11	3792	1818	732,60	11	5592	3355	1398	1328,50
	15	4704	2318	608,90	16	5100	2419	1022,50	16	7980	4788	1995	1681,10
	20	6588	3249	750,40	21	6822	3208	1150,70	21	9702	5821	2426	1810,40

Installation in a wall recess is also available in heights 70 and 90 cm, see: [www.jaga.be](http://www.jaga.be)

EN442 output at 20°C room temperature

# INSTALLATION IN A WALL RECESS ■ H050

## BIWW.050 LLL TT

L	STANDARD				TWIN			
	Type	Watts 75/65	Watts 55/45	€	Type	Watts 75/65	Watts 55/45	€
040	10	430	212	99,50	11	554	266	183,80
	15	694	344	120,10	16	759	359	217,60
	20	970	481	139,20	21	1033	484	227,70
050	10	538	265	108,20	11	693	332	198,40
	15	867	430	132,30	16	949	449	238,20
	20	1213	602	154,40	21	1291	605	251,10
060	10	646	318	119,80	11	832	399	214,20
	15	1040	516	146,80	16	1139	539	259,50
	20	1455	722	172,50	21	1549	725	276,50
070	10	753	371	139,60	11	970	465	246,20
	15	1214	602	172,00	16	1329	629	301,90
	20	1698	842	204,10	21	1807	846	324,70
080	10	861	424	149,40	11	1109	532	262,10
	15	1387	688	185,50	16	1518	719	324,00
	20	1940	962	221,00	21	2066	968	350,10
090	10	968	477	160,90	11	1247	598	278,40
	15	1561	774	200,70	16	1708	809	347,80
	20	2183	1083	239,70	21	2324	1088	376,50
100	10	1076	530	178,80	11	1386	665	306,50
	15	1734	860	223,10	16	1898	898	384,20
	20	2425	1203	268,40	21	2582	1209	419,70
110	10	1184	584	191,10	11	1525	732	324,70
	15	1907	946	240,10	16	2088	988	408,90
	20	2668	1323	288,20	21	2840	1330	448,60
120	10	1291	636	201,10	11	1663	798	340,50
	15	2081	1032	252,90	16	2278	1078	431,20
	20	2910	1443	305,10	21	3098	1451	473,90
140	10	1506	742	231,60	11	1940	931	384,60
	15	2428	1204	292,70	16	2657	1258	490,20
	20	3395	1684	374,60	21	3615	1693	575,00
160	10	1722	849	269,40	11	2218	1064	446,50
	15	2774	1376	344,10	16	3037	1438	576,50
	20	3880	1924	440,90	21	4131	1935	676,80
180	10	1937	955	294,30	11	2495	1197	484,00
	15	3121	1548	376,90	16	3416	1617	628,10
	20	4365	2165	481,80	21	4648	2177	736,80
200	10	2152	1061	322,30	11	2772	1330	524,40
	15	3468	1720	434,50	16	3796	1797	721,80
	20	4850	2405	525,90	21	5164	2418	799,70
220	10	2367	1167	365,90	11	3049	1463	596,50
	15	3815	1892	495,50	16	4176	1977	825,30
	20	5335	2646	603,20	21	5680	2660	918,30
240	10	2582	1273	396,30	11	3326	1596	642,50
	15	4162	2064	536,30	16	4555	2156	888,80
	20	5820	2886	654,10	21	6197	2902	992,40
260	10	2798	1379	422,30	11	3604	1729	682,90
	15	4508	2236	570,90	16	4935	2336	944,80
	20	6305	3127	697,10	21	6713	3144	1056,20
280	10	3013	1485	451,40	11	3881	1862	725,30
	15	4855	2408	608,40	16	5314	2516	1002,60
	20	6790	3367	743,70	21	7230	3386	1123,50
300	10	3228	1591	476,00	11	4158	1995	763,70
	15	5202	2580	641,20	16	5694	2695	1055,30
	20	7275	3608	785,40	21	7746	3628	1185,60

## BIWW.050 LLL TT/DBE

Type	WITH DBE in comfort mode			
	Watts 75/65	Watts 55/45	Watts 35/30	€
---	---	---	---	---
---	---	---	---	---
---	---	---	---	---
---	---	---	---	---
---	---	---	---	---
---	---	---	---	---
11	1132	679	283	429,30
16	1619	971	405	484,40
21	2029	1217	507	501,30
11	1270	762	318	461,00
16	1809	1085	452	526,60
21	2287	1372	572	549,40
11	1409	845	352	477,30
16	1998	1199	500	548,90
21	2546	1528	637	574,90
11	1847	1108	462	567,70
16	2668	1601	667	657,00
21	3284	1970	821	685,50
11	1986	1192	497	595,60
16	2858	1715	715	693,10
21	3542	2125	886	728,60
11	2125	1275	531	614,10
16	3048	1829	762	718,10
21	3800	2280	950	757,90
11	2263	1358	566	629,70
16	3238	1943	810	740,20
21	4058	2435	1015	782,80
11	2540	1524	635	673,40
16	3617	2170	904	798,90
21	4575	2745	1144	883,70
11	3418	2051	855	884,50
16	4957	2974	1239	1053,90
21	6051	3631	1513	1154,20
11	3695	2217	924	922,30
16	5336	3202	1334	1106,00
21	6568	3941	1642	1214,70
11	3972	2383	993	962,50
16	5716	3430	1429	1199,60
21	7084	4250	1771	1277,50
11	4249	2549	1062	1034,30
16	6096	3658	1524	1303,00
21	7600	4560	1900	1396,00
11	5126	3076	1282	1229,80
16	7435	4461	1859	1535,50
21	9077	5446	2269	1638,90
11	5404	3242	1351	1269,50
16	7815	4689	1954	1590,80
21	9593	5756	2398	1702,10
11	5681	3409	1420	1312,40
16	8194	4916	2049	1649,10
21	10110	6066	2528	1769,80
11	5958	3575	1490	1362,10
16	8574	5144	2144	1716,30
21	10626	6376	2657	1849,00

EN442 output at  
20°C room temperature

Installation in a wall recess is also available in  
heights 70 and 90 cm, see: [www.jaga.be](http://www.jaga.be)

# H060 - INSTALLATION IN A WALL RECESS



BIWW.060 LLL TT

BIWW.060 LLL TT/DBE

L	STANDARD				TWIN				WITH DBE in comfort mode				
	Type	Watts 75/65	Watts 55/45	€	Type	Watts 75/65	Watts 55/45	€	Type	Watts 75/65	Watts 55/45	Watts 35/30	€
040	10	468	232	107,10	11	598	287	191,30	---	---	---	---	---
	15	746	372	125,70	16	834	394	223,20	---	---	---	---	---
	20	1043	520	144,70	21	1153	538	233,60	---	---	---	---	---
050	10	585	290	116,10	11	747	359	206,30	---	---	---	---	---
	15	933	466	138,30	16	1042	492	244,30	---	---	---	---	---
	20	1304	651	160,40	21	1441	672	257,30	---	---	---	---	---
060	10	702	348	128,90	11	896	430	223,30	11	1196	718	299	439,00
	15	1120	559	153,90	16	1250	591	266,60	16	1730	1038	433	492,20
	20	1565	781	179,40	21	1729	806	283,70	21	2209	1325	552	509,10
070	10	819	406	149,50	11	1046	502	256,20	11	1346	808	337	471,60
	15	1306	652	179,90	16	1459	689	309,80	16	1939	1163	485	535,40
	20	1826	911	212,00	21	2017	941	332,90	21	2497	1498	624	558,20
080	10	936	463	159,80	11	1195	574	272,70	11	1495	897	374	488,40
	15	1493	745	193,90	16	1667	788	332,60	16	2147	1288	537	558,20
	20	2086	1041	229,40	21	2306	1076	358,70	21	2786	1672	697	584,20
090	10	1053	521	172,40	11	1345	646	289,90	11	1945	1167	486	579,90
	15	1679	838	210,40	16	1876	886	357,40	16	2836	1702	709	667,30
	20	2347	1171	249,10	21	2594	1210	386,30	21	3554	2132	889	695,80
100	10	1170	579	191,10	11	1494	717	318,90	11	2094	1256	524	608,70
	15	1866	931	233,70	16	2084	985	394,80	16	3044	1826	761	704,30
	20	2608	1301	278,80	21	2882	1344	430,40	21	3842	2305	961	739,80
110	10	1287	637	204,60	11	1643	789	338,10	11	2243	1346	561	628,30
	15	2053	1024	251,70	16	2292	1083	420,40	16	3252	1951	813	730,50
	20	2869	1432	299,70	21	3170	1479	460,40	21	4130	2478	1033	770,20
120	10	1404	695	215,00	11	1793	861	354,60	11	2393	1436	598	644,40
	15	2239	1117	265,10	16	2501	1182	443,30	16	3461	2077	865	752,90
	20	3130	1562	317,10	21	3458	1613	486,20	21	4418	2651	1105	795,60
140	10	1638	811	249,70	11	2092	1004	402,70	11	2692	1615	673	692,10
	15	2612	1303	308,10	16	2918	1379	505,50	16	3878	2327	970	814,70
	20	3651	1822	389,50	21	4035	1882	590,60	21	4995	2997	1249	899,60
160	10	1872	927	288,80	11	2390	1147	466,20	11	3590	2154	898	904,50
	15	2986	1490	360,80	16	3334	1575	593,10	16	5254	3152	1314	1071,20
	20	4173	2082	457,20	21	4611	2151	693,70	21	6531	3919	1633	1171,50
180	10	2106	1043	315,60	11	2689	1291	505,50	11	3889	2333	972	944,30
	15	3359	1676	395,50	16	3751	1772	646,70	16	5671	3403	1418	1125,30
	20	4694	2342	500,00	21	5188	2420	755,60	21	7108	4265	1777	1233,90
200	10	2340	1159	346,10	11	2988	1434	548,40	11	4188	2513	1047	987,00
	15	3732	1862	455,70	16	4168	1969	742,80	16	6088	3653	1522	1221,40
	20	5216	2603	546,60	21	5764	2688	821,10	21	7684	4610	1921	1299,20
220	10	2574	1275	391,30	11	3287	1578	622,00	11	4487	2692	1122	1060,40
	15	4105	2048	518,30	16	4585	2166	848,00	16	6505	3903	1626	1326,20
	20	5738	2863	625,30	21	6340	2957	941,20	21	8260	4956	2065	1419,20
240	10	2808	1390	425,20	11	3586	1721	671,70	11	5386	3232	1347	1259,40
	15	4478	2234	561,60	16	5002	2363	914,00	16	7882	4729	1971	1561,40
	20	6259	3123	678,90	21	6917	3226	1017,80	21	9797	5878	2449	1664,80
260	10	3042	1506	452,70	11	3884	1864	713,50	11	5684	3410	1421	1300,50
	15	4852	2421	597,70	16	5418	2560	971,60	16	8298	4979	2075	1618,10
	20	6781	3383	723,60	21	7493	3495	1083,30	21	10373	6224	2593	1729,40
280	10	3276	1622	484,20	11	4183	2008	758,50	11	5983	3590	1496	1345,90
	15	5225	2607	637,70	16	5835	2757	1031,80	16	8715	5229	2179	1678,90
	20	7302	3643	772,40	21	8070	3764	1153,00	21	10950	6570	2738	1799,60
300	10	3510	1738	510,40	11	4482	2151	798,40	11	6282	3769	1571	1400,40
	15	5598	2793	672,10	16	6252	2954	1086,00	16	9132	5479	2283	1748,80
	20	7824	3904	815,70	21	8646	4033	1216,70	21	11526	6916	2882	1881,10

Installation in a wall recess is also available in heights 70 and 90 cm, see: [www.jaga.be](http://www.jaga.be)

EN442 output at 20°C room temperature